

# LCN

## 4000T Series

Door controls



The 4000T Series is a heavy duty wall mounted closer designed specifically to reliably control fire and smoke barrier doors with a maximum swing of 90°. Intended to be used in conjunction with the LCN SEM 7850 wall magnet.



### Features

- Non-handed closer mounts in a wall pocket, hinge side, on either right or left hand door
- Closer cylinder constructed of high strength cast iron for increased durability
- Tested to 1,500,000 cycles
- Sized cylinders for interior doors to 1219mm
- Independent adjustment valves for adjusting backcheck, closing and latching speeds
- Maximum door opening -90°
- Used with SEM 7850 wall magnet, holds door open at 90°. When wall magnet releases, the closer quietly and firmly closes door
- Closers installed according to LCN installation instructions require minimal periodic maintenance or adjustments

Warranties	
Mechanical	30 years

# Specification guide

Series	Strength	Function	Finish
Strength 3 ..... LCN4003T	Closer strength ..... 3	Regular closer.....REG	Aluminium ..... ALUM
Strength 4 ..... LCN4004T	Closer strength ..... 4		

- Series**  
Select the desired series e.g. LCN 400T Series ..... LCN4003T
- Strength**  
Select the required closer strength ..... LCN4003T
- Function**  
Select the desired function e.g. Regular closer ..... LCN4003T-REG
- Finish**  
Select the desired finish e.g. Aluminium ..... LCN4003T-REG-ALUM

## Selection chart

Select closer based on width of door

Strength	Exterior door	Interior door
3	NA	868mm - 1067mm
4	NA	1067mm - 1219mm

### Specifications

<b>Door type</b>	Timber or metal
<b>Door size</b>	Size 3 - Internal door 868mm-1067mm Size 4 - Internal door 1067mm-1219mm
<b>Applications</b>	Wall mount only
<b>Adjustment controls</b>	Closing speed Latching speed Backcheck
<b>Strength</b>	Size 3 - fixed strength Size 4 - fixed strength

## Finish



**ALUM**

Aluminium

## Testing and Compliance



### Fire Rating:

Successfully tested on fire door assemblies in accordance with AS1905 Part1: Fire resistance doorsets. Check with fire door manufacturer prior to installation.

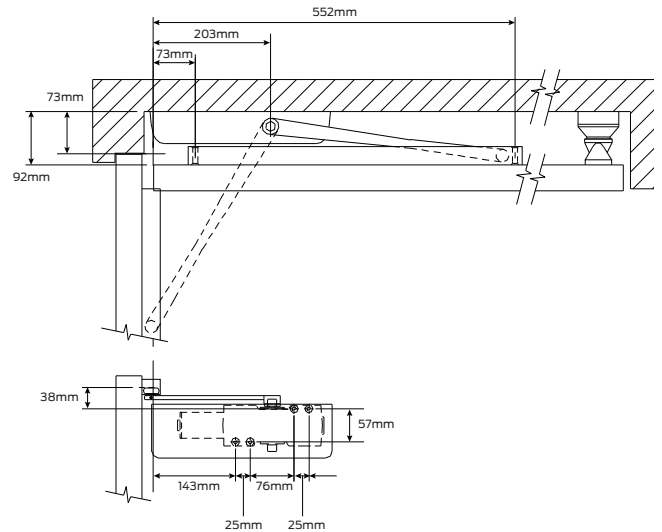
## Regulating controls

<b>Closing speed</b>	Adjustment to increase or decrease the speed at which the door closes. This allows the appropriate momentum to close the door in a safe and secure manner. Closing speed adjustment operates from the maximum opening to 15°
<b>Latching speed</b>	The latching speed allows the door to close quietly and firmly. It can be adjusted to increase or decrease the speed at which the door finally closes. This assists the final stage of the closing cycle to help overcome stubborn latchbolts or air pressure conditions. The latching speed adjustment operates from 15° to closing
<b>Backcheck</b>	Adjustable hydraulic backcheck provides a cushioning effect when the door is forcibly thrown open to prevent damage to the closer, door and frame. The backcheck adjustment allows the level of resistance in the latter stage of opening to be set at the level required. Backcheck is effective from 75°. Backcheck is a requirement for all fire rated closers

# Mounting details

## Wall pocket mounting

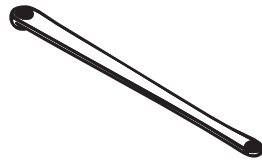
Cylinder mounts on wall. Track mounts on hinge side of door. Templating allows 90° only. Hold open point 90° with magnet



# 4000T Series accessories

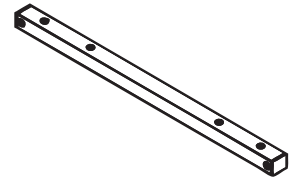
## Standard arm 4000T-3077

Standard, non-handed arm



## Regular track 4000T-3038

Non-hold open, non-handed track. Will not accept hold open clip or bumper assembly



## Track roller 4000T-3034

Quiet, low friction roller assembly

