



G2 Series Deadbolt

Locks and latches



Legge has long been associated with providing Australasia industry-leading safety, security, style and convenience and the G2 deadbolt is no exception. The G2 deadbolt offers ANSI/BHMA Grade 2 certification and makes it suitable for both residential and light to medium commercial applications.

Features

- Tested in excess of 400,000 operating cycles
- Quick and easy cylinder replacement
- Two nickel silver keys per lock supplied with Schlage C4 6 pin keyway as standard
- The G2 series is ideally suited for residential, light, and medium duty commercial applications
- Non-handed

Warranties	
Mechanical	10 years

Specification guide

Series	Function	Finish
G2 G2	G160 Single cylinder deadbolt G2BOLTSC G162 Single cylinder deadbolt G2BOLTDC	Satin chrome plate SCP

- Series**
Select the desired series G2
- Function**
Select the required function e.g., Single cylinder deadbolt G2BOLTSC
- Finish**
Select the desired finish G2BOLTSCSCP

Specifications

Door type	Timber or metal
Door thickness	35mm to 50mm
Chassis	Steel, zinc dichromate plated
Outer forend	Stainless steel
Bolt	Stainless steel
Strike plate	Stainless steel
Backsets	60mm or 70mm standard
Key cylinder	Schlage C4 6 pin keyway standard, Schlage SR1 keyway optional
Finish	Satin chrome plate

Finish



SCP

Satin Chrome Plate

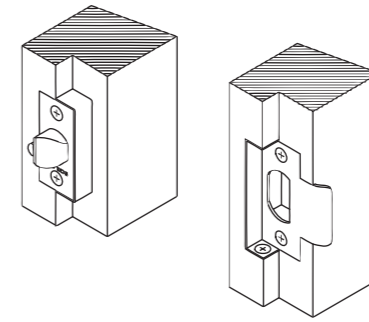
Legge G2 Series Deadbolts

Functions	Outside	Inside
G160 - Single cylinder deadbolt Deadbolt thrown or retracted by key from outside or by turn unit inside. Bolt automatically deadlocks when fully thrown		
G162 - Double cylinder deadbolt Deadbolt thrown or retracted by key from either side. Bolt automatically deadlocks when fully thrown		

Legge G2 Series accessories

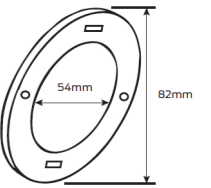
Rebate kit

This kit adapts latches and strikes for 13mm rebated door and frame preparations



Packing ring

Finish: Satin stainless steel



Dimensions

