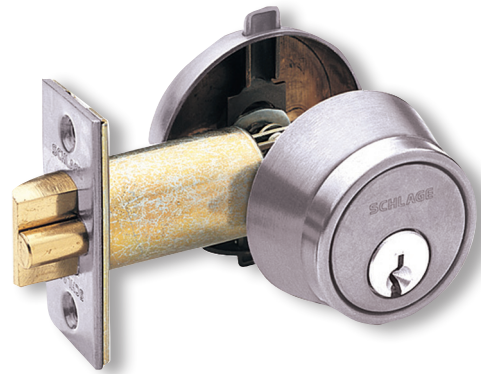




B250 Series Deadlatch

Locks and latches



The B250 Series has been considered the industry standard for tubular deadlatches, and is ideal for apartment gates, utility panels, and service doors.

All B Series standard strikes come with a wood frame reinforcer to resist kick-in attacks and free spinning solid or reinforced collars to resist cylinder wrenching, making them an ideal primary lock.

Features

- Hold back thumbturn allows the deadlatch to be held in a retracted position
- Optional model without holdback for use with fire doors
- Latch has deadlocking plunger to prevent shimming of latch by credit card or similar tool
- Wood frame reinforcer protects wood jambs against kick in attacks, reinforcer installs under strike plate with 2 x 76mm screws
- Precision-built solid brass 6 pin cylinders with phosphor bronze springs and nickel silver pins ensure long life and smooth operation
- Tough silver nickel keys for smooth, long lasting operation
- Cylinder collar reinforced with security inserts to resist wrenching and prying
- The B250 Series is ideally suited for storage cupboards and service ducts

Warranties

Mechanical	10 years
------------	----------

Specification guide

Model	Finish
Nightlatch B250PD	Satin chrome plate..... SCP

- Model**
Select the desired function e.g. Nightlatch B250PD
- Finish**
Select the desired finish e.g. Satin chrome plate B250PDSCP

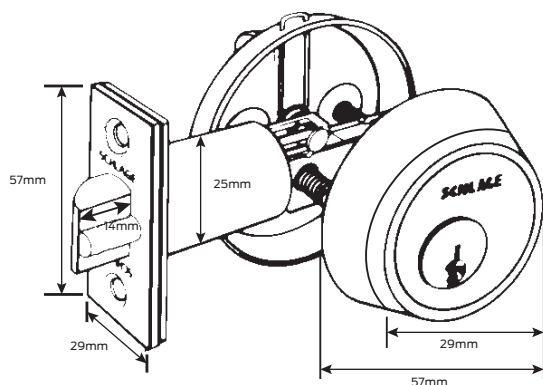
Specifications	
Door type	Timber or metal
Door thickness	35mm to 44mm standard
Chassis	Steel, brass and die cast components
Outer forend	Steel
Latch	Brass with 14mm throw
Strike plate	Steel
Backsets	70mm standard. 60mm available
Key cylinder	Schlage C6 pin keyway standard, Schlage E6 pin keyway optional, Schlage Everest D keyway optional

Finish



SCP

Satin Chrome Plate



Function

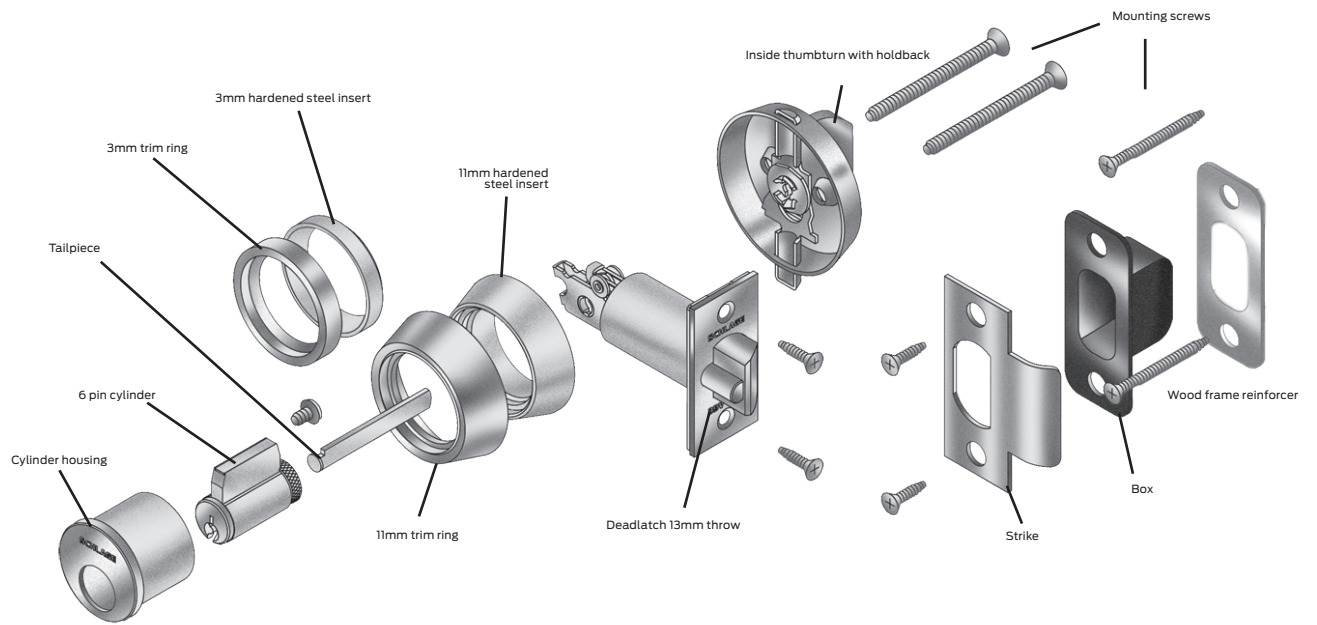
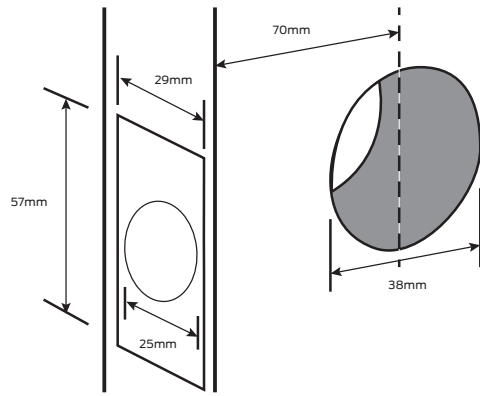
Outside Inside

B250PD - Single cylinder

Deadlocking latch bolt retracted by key from outside or by inside thumb turn
Rotating turn unit and activating hold back feature keeps latch retracted



Door preparation



Schlage B250 Series accessories

Adapter rings

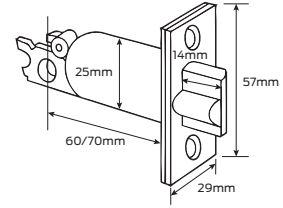
To be used when door has been prepared with a 54mm hole. An adapter ring is required for each side of the door

Finish: Satin chrome plate



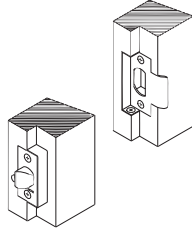
Deadlatches

Finish: Satin chrome plate



Rebate kit

This kit adapts latches and strikes for 13mm rebated door and frame preparations



Strikes

Supplied with a strike box
Finish: Satin chrome plate

