



5300 Series

Door furniture



The 5300 Series narrow stile furniture is designed for use in commercial applications, including exterior and interior doors for retail/shop front, educational, governmental, medical and public buildings. The narrow plate is ideal for use on narrow aluminium or timber stiles.

With a range of modern and contemporary lever designs, the 5300 Series will complement any décor. The handing mechanism of this Series allows the furniture to be handed on site, by simply rotation of the handle in the preferred direction of use prior to installing on the door.

Features

- Constructed of commercial grade, quality components including forged brass handles and extruded brass plates
- Heavy duty compression spring provides a smooth, positive return action of the lever and eliminates droop, extending the life of the product
- Symmetrically designed levers are able to be handed on site within seconds, with a simple 180° rotation of the lever in the preferred direction of use prior to installation
- Designed for use with Legge 995 narrow stile mortice locks, the 5300 Series can also be supplied to suit Legge 990MF mortice locks



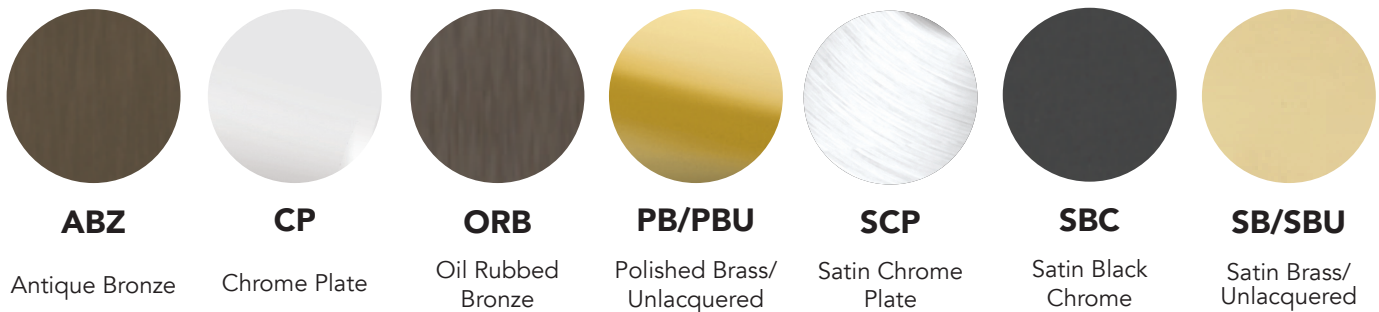
Warranties	
Mechanical	30 years

Specification guide

Brand	Function	Levers	Finish	Lock Type
Legge..... L	refer following pages	refer following pages	Antique bronze A Chrome plate C Oil rubbed bronze ORB Polished brass P Polished brass unlacquered PU Satin chrome plate S Satin black chrome SBC Satin brass S B Satin brass unlacquered SBU	995MF Mortice lock leave blank 990MF Mortice lock M

- Function**
Select the desired function e.g. External plate with cylinder L5300/
- Lever**
Select the required lever design - e.g. Angelo #57 L5300/57
- Finish**
Select the desired finish e.g. Satin brass unlacquered L5300/57SBU
- Lock Type**
Select the appropriate lock type e.g. 990MF Mortice lock L5300/57SBUM

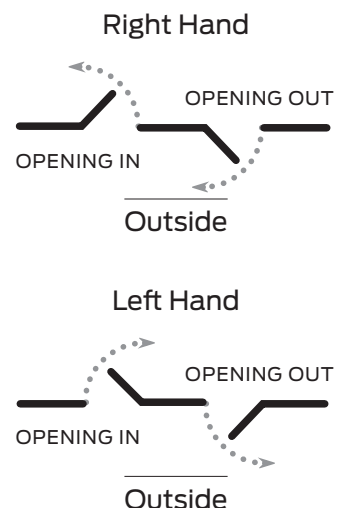
Finishes



Specifications

Door type	Timber or metal
Door thickness	32mm to 50mm (51mm to 75mm with optional extended screws)
Fixing centres	159mm
Plate height	185mm
Plate width	25mm
Plate thickness	12mm
Lever to cylinder centres	90mm for 995MF mortice lock and 69mm for 990MF mortice lock
Spindle size	7.6mm
Compatible locks/latches	Legge 995MF and Legge 990MF Series mortice locks
Fixing	Back to back. External plates concealed fixing. Screws supplied with exterior plates only. 75mm M4 screw
Materials	Levers — forged & extruded brass Plate — extruded brass

Handing guide



Testing and Compliance



Fire Rating:

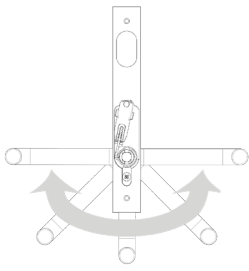
Successfully tested on fire door assemblies in accordance with AS1905 Part1: Fire resistance doorsets. Check with fire door manufacturer prior to installation.



Accessibility:

Compliant to the AS 1428:1-2009 Design for Access and Mobility

Lever handing



Handing of the lever is a simple operation: rotate the lever to the desired handing and then guide the spring mechanism into the channel.

Plate dimensions for 995MF

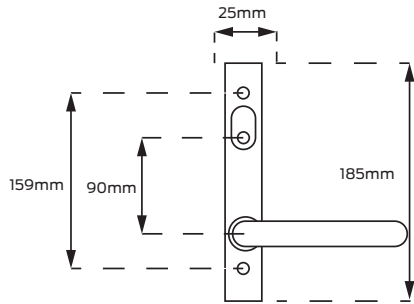


Plate dimensions for 990MF

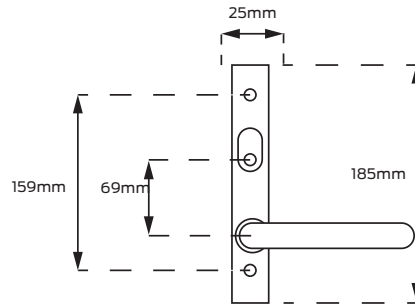


Plate function options - External plates

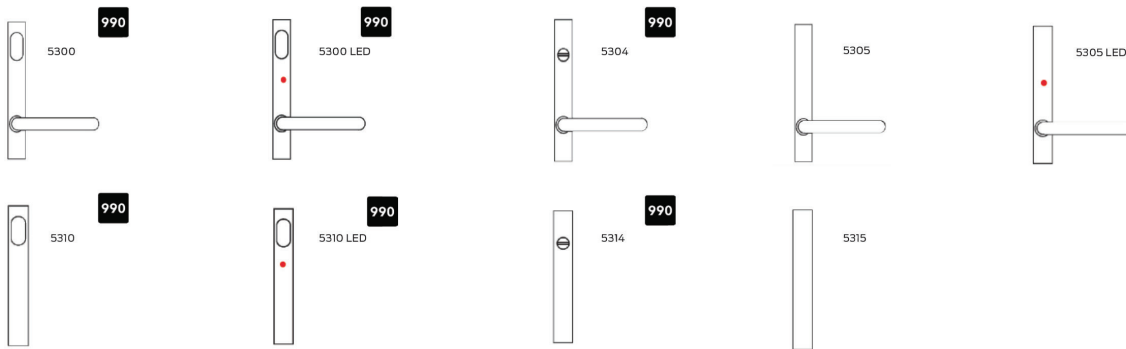
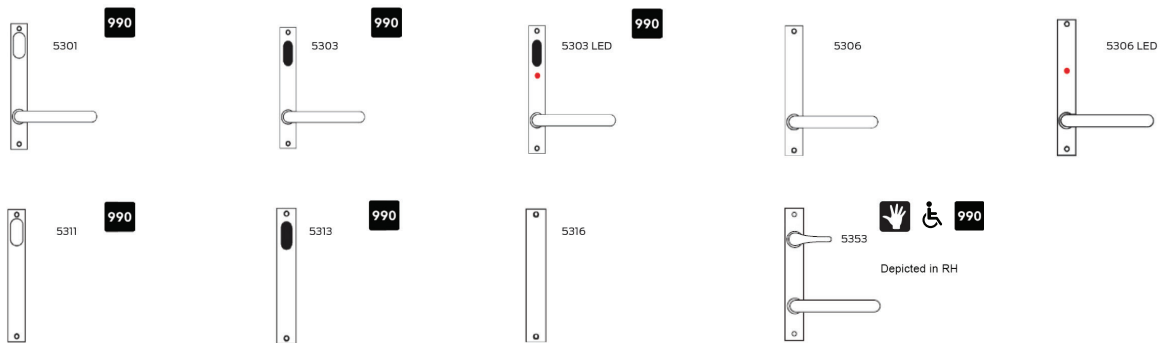


Plate function options - Internal plates



Legend

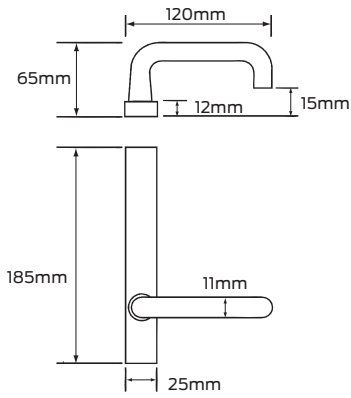
- Turn snib
- Cylinder hole
- Emergency button
- Accessible Turn
- LED
- AS1428:1 2009 Compliant
- Denotes handed lever
- 990 Variant available
-
-
-

Legge 5300 Series levers

Alpha #29 



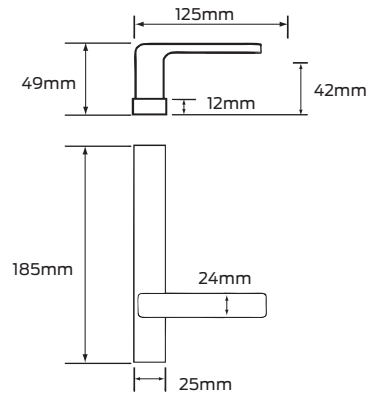
Minimum Backset: 23mm



Angelo #57



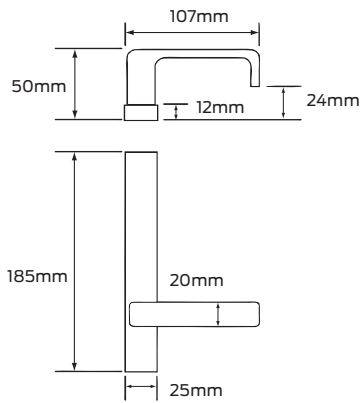
Minimum Backset: 30mm



Bergen



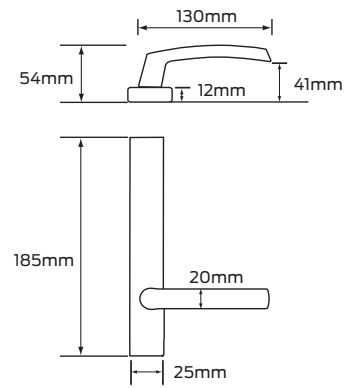
Minimum Backset: 30mm



Cisa #59



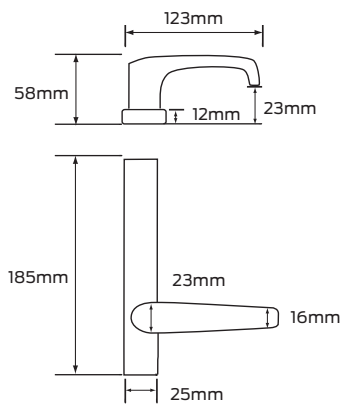
Minimum Backset: 23mm



Ergo #62 



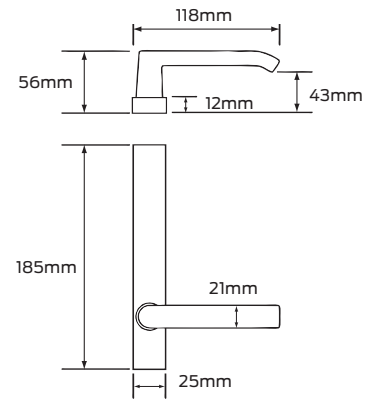
Minimum Backset: 30mm



Leonardo #12

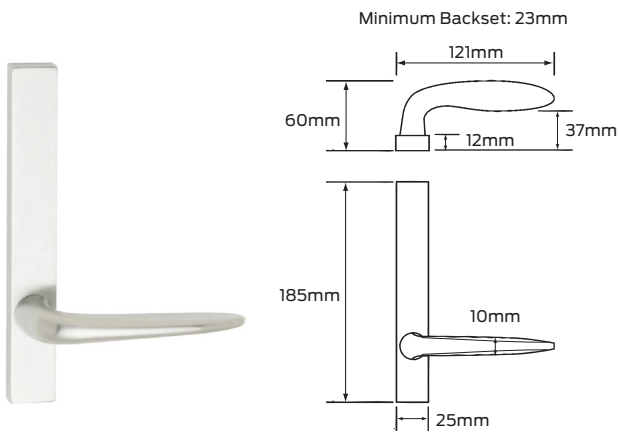


Minimum Backset: 30mm

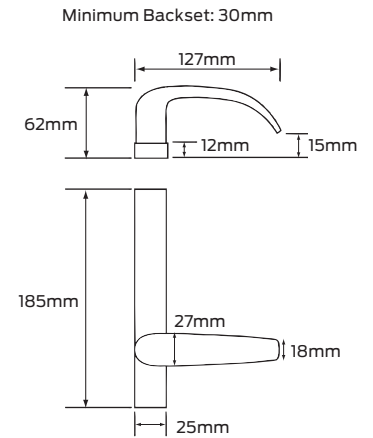


Legge 5300 Series levers

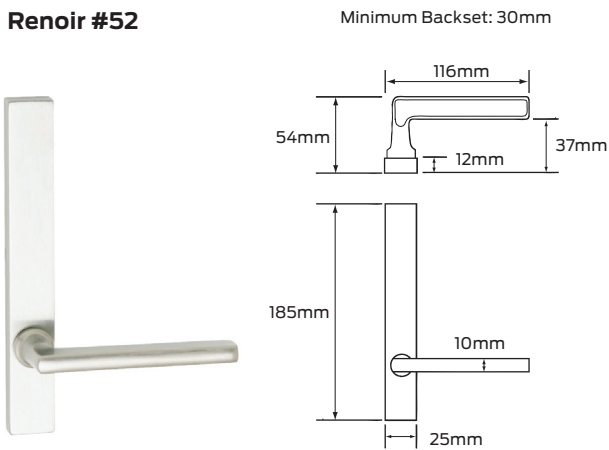
Monet #50



Neptune



Renoir #52



Rubens #56

