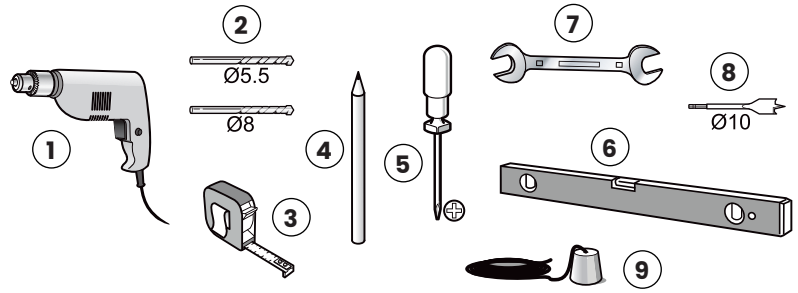


Open Bar Rail 80 Top Hung Straight Sliding Installation Instructions

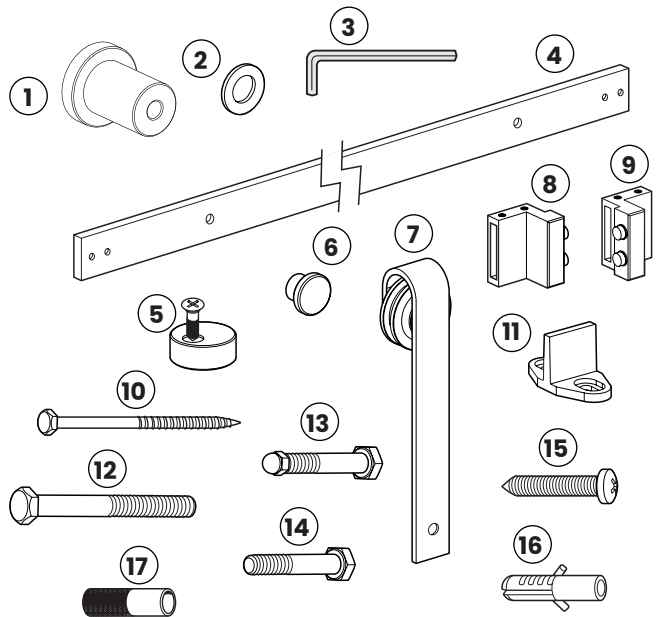
Recommended Tools

1. Electric drill
2. Drill bits
3. Tape measure
4. Pencil
5. Phillips head screw driver
6. Level
7. Spanner
8. Spade bit
9. Plumblines



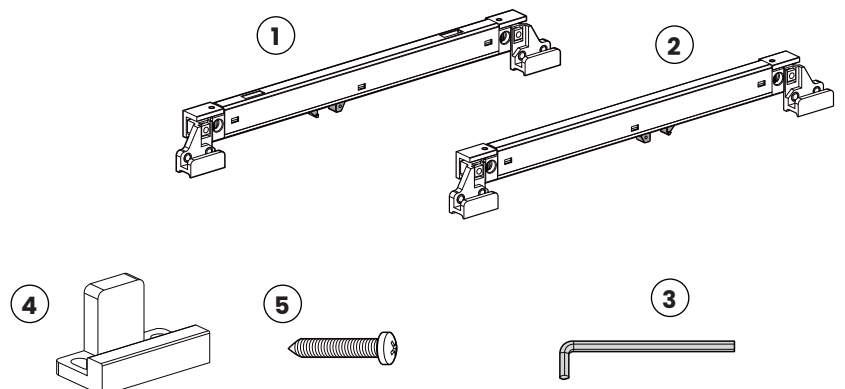
Components for sliding panel

No.	Qty	Description
1.	6	Spacer
2.	6	Washer
3.	1	Allen key
4.	1	Rail
5.	2	Anti-lift spacer
6.	4	Rail hole cover
7.	2	Hanger
8.	1	Left door stop
9.	1	Right door stop
10.	6	Bolt
11.	1	T slot floor guide
12.	6	Bolt
13.	4	Bolt
14.	4	Bolt
15.	2	Screw
16.	2	Wall plug
17.	6	Grub screw

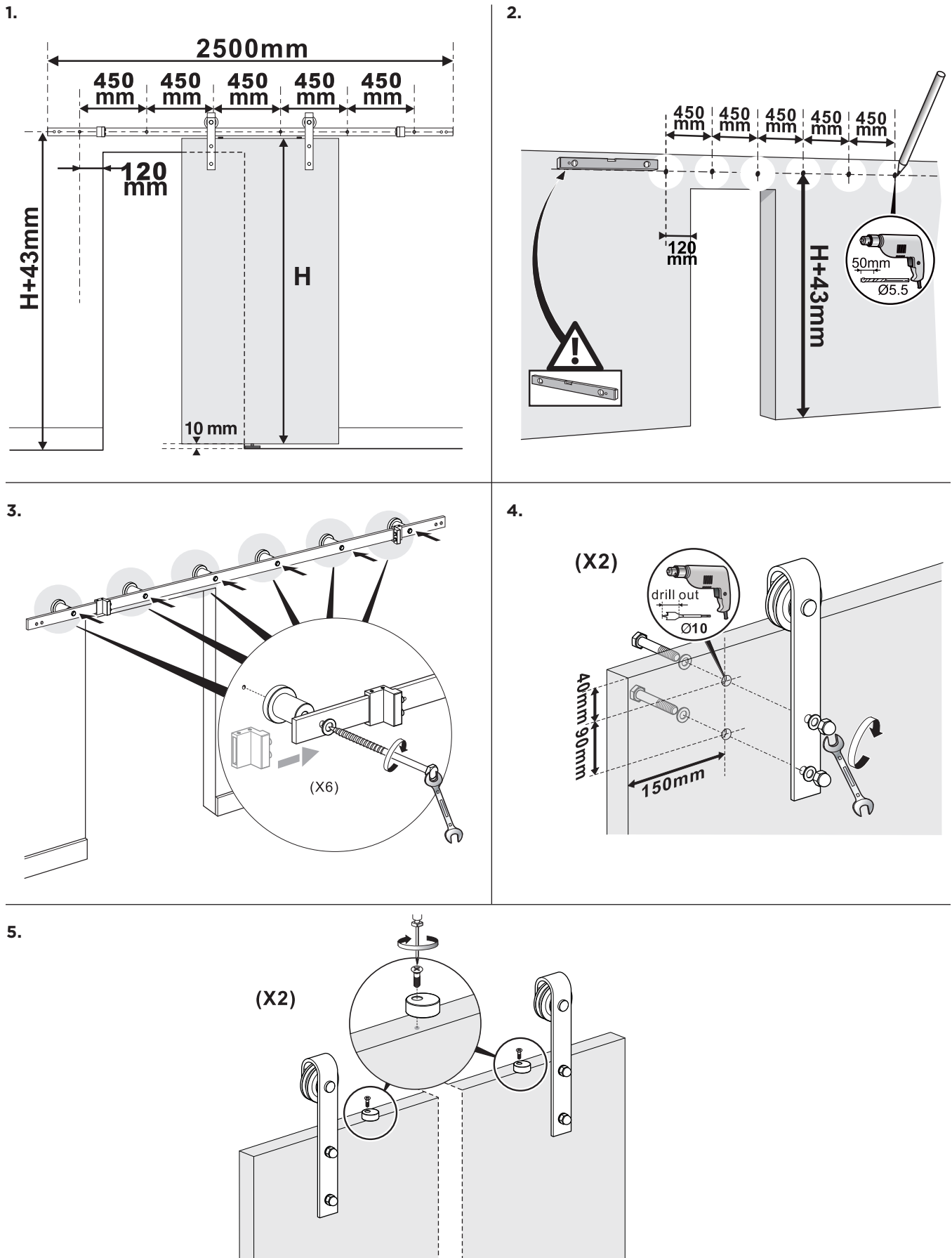


Optional 80SCT Soft Close

No.	Qty	Description
1.	1	Soft close
2.	1	Soft close
3.	1	Allen key
4.	2	Catch
5.	4	Screw

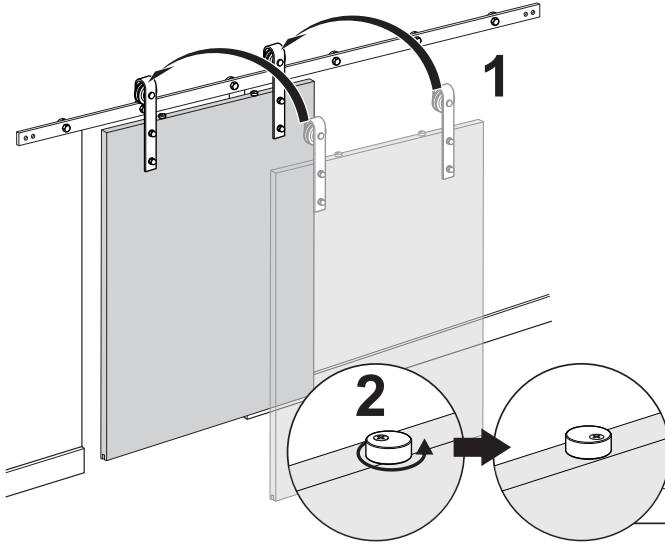


Installation of panel without Soft Close

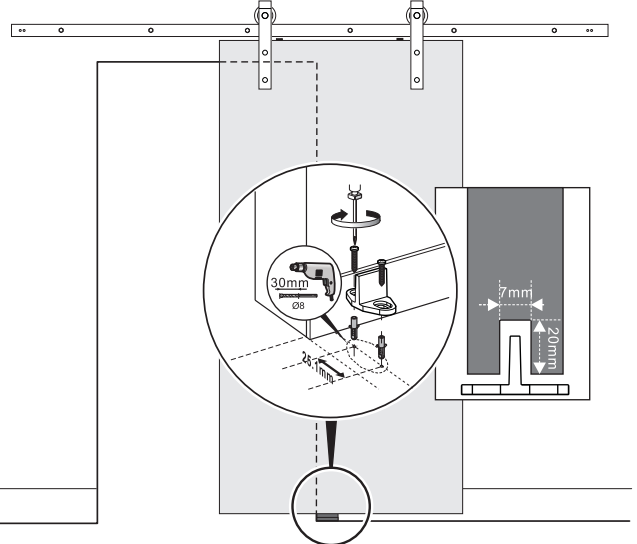


Installation of panel without Soft Close continued

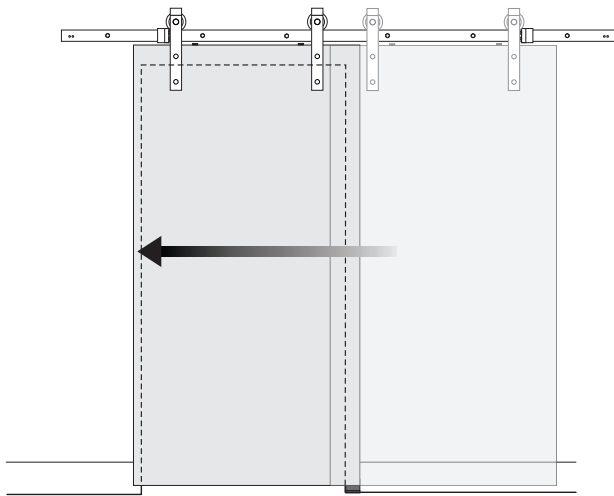
6.



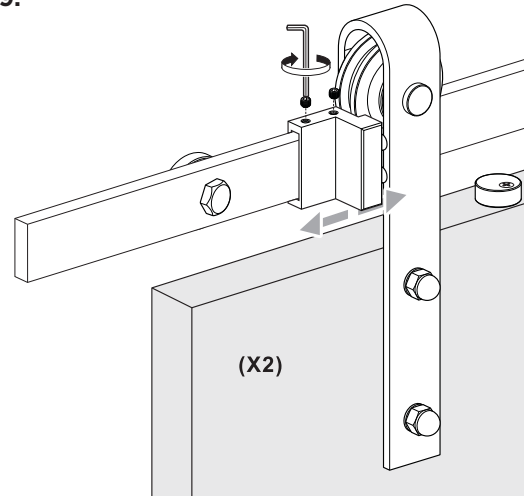
7.



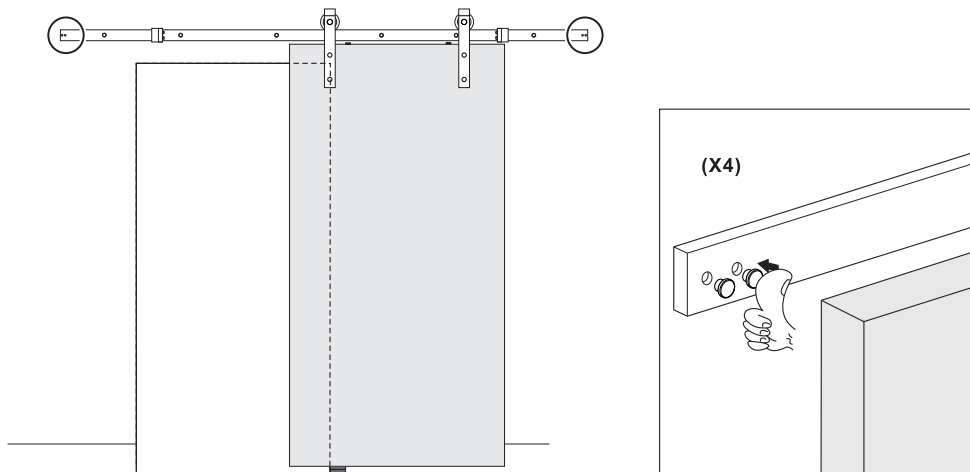
8.



9.



10.

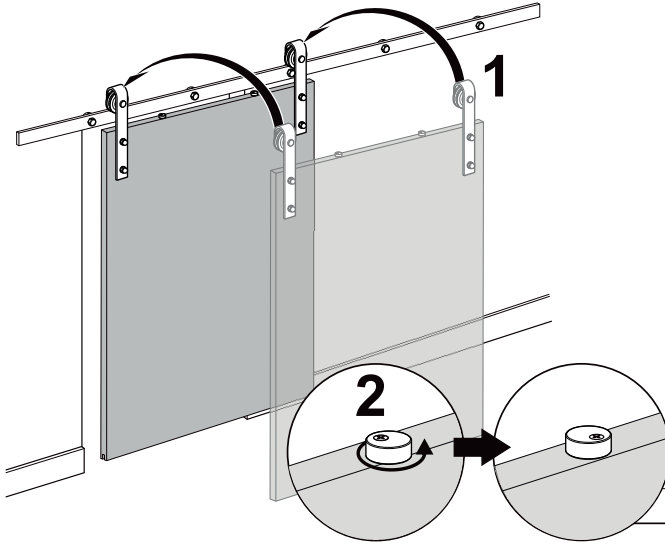


Installation of panel with 80SCT Soft Close

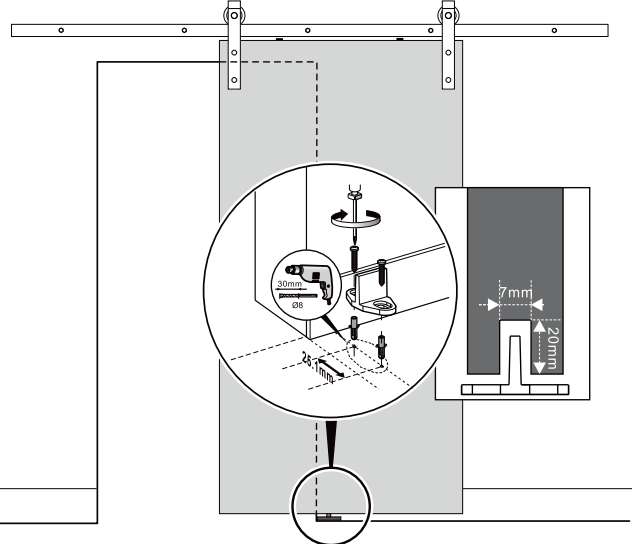
- 2000mm
450mm 450mm 450mm 450mm
H+43mm
100mm
H
10mm
- 450mm 450mm 450mm 450mm
100mm
H+43mm
50mm
Ø5.5
-
- (X2)
drill out
Ø10
40mm 90mm
150mm
- (X2)

Installation of panel with 80SCT Soft Close continued

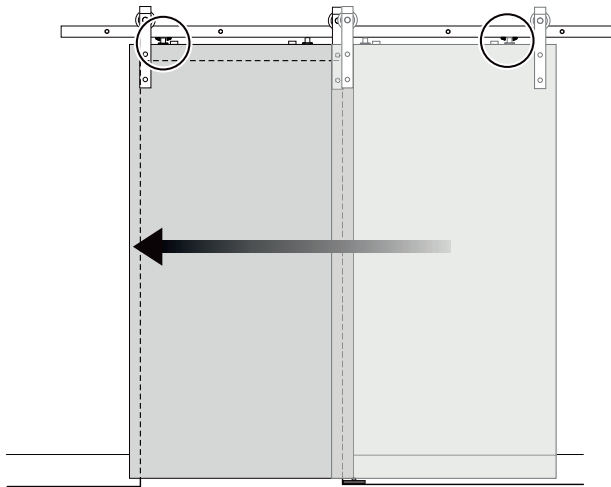
6.



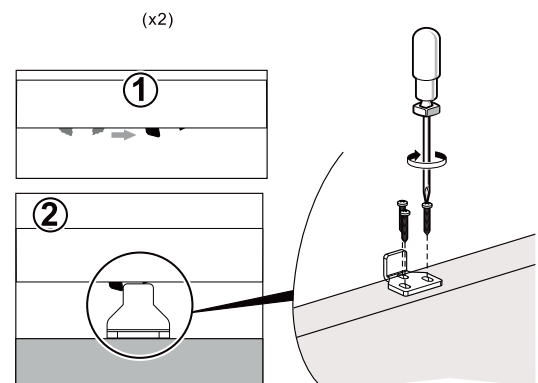
7.



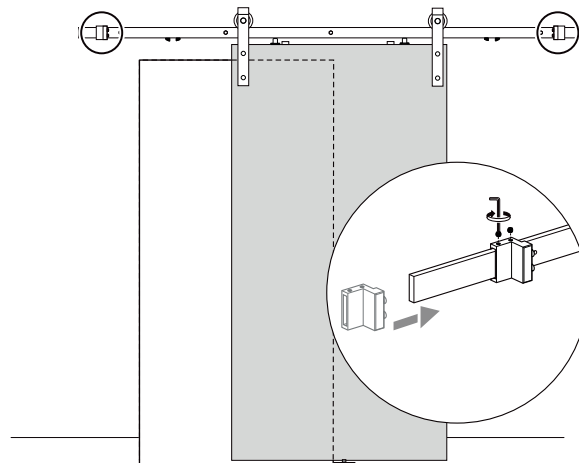
8.



9.



10.

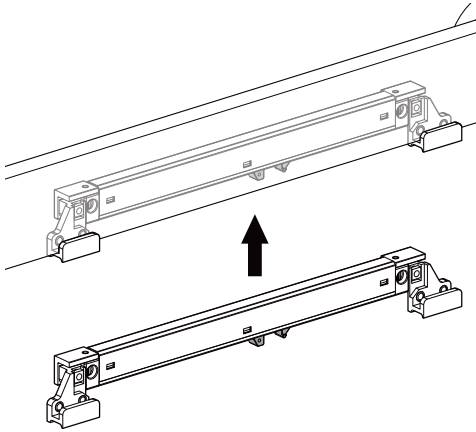


Installation of 80SCT Soft Close

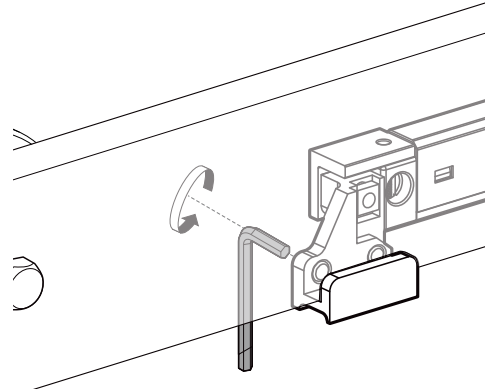
1.



i

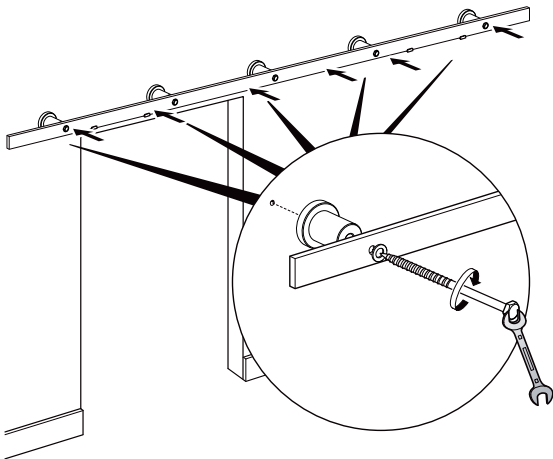


ii

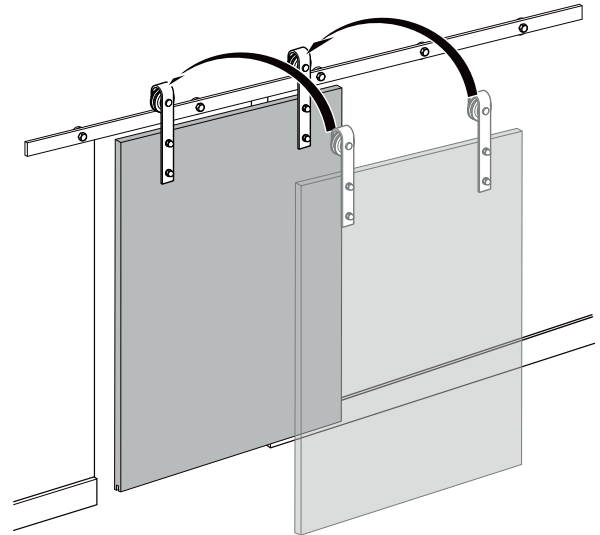


2.

i



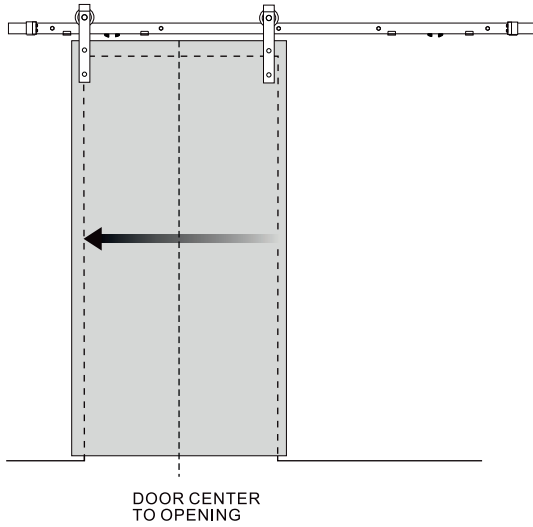
ii



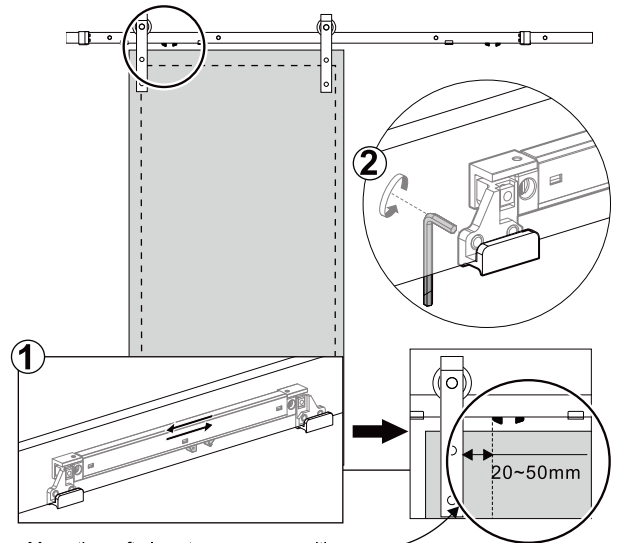
Installation of 80SCT Soft Close continued

3.

i

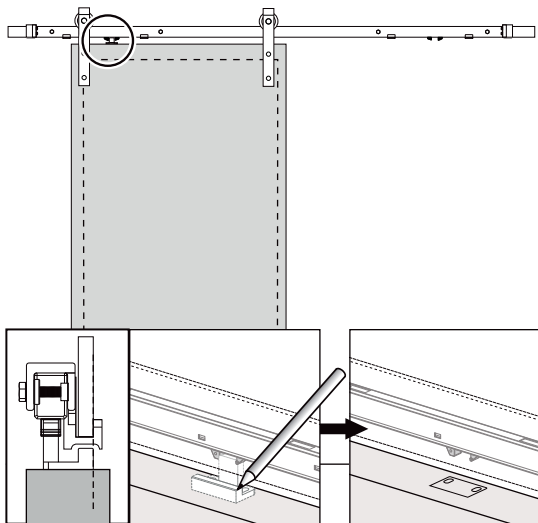


ii

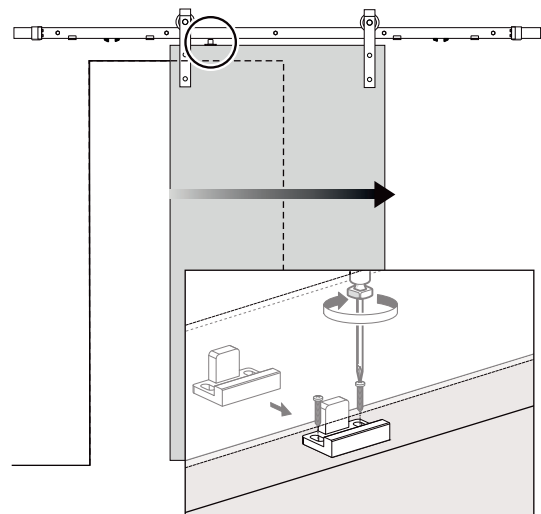


Move the soft close to a proper position and tighten the screw of the connector to the rail completely.

iii

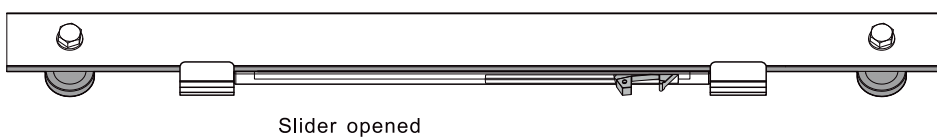
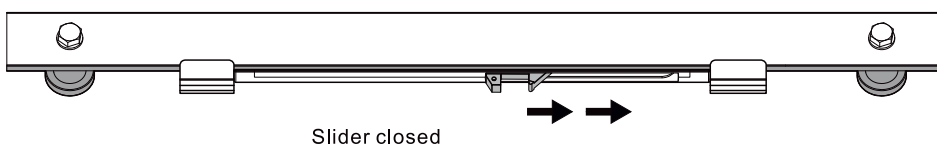


iv



v

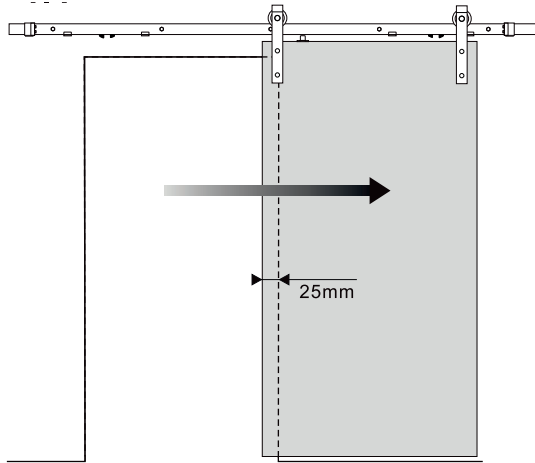
Left



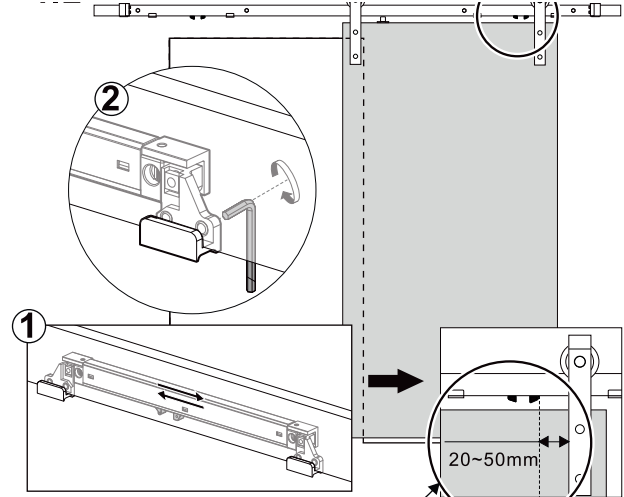
Installation of 80SCT Soft Close contined

4.

i

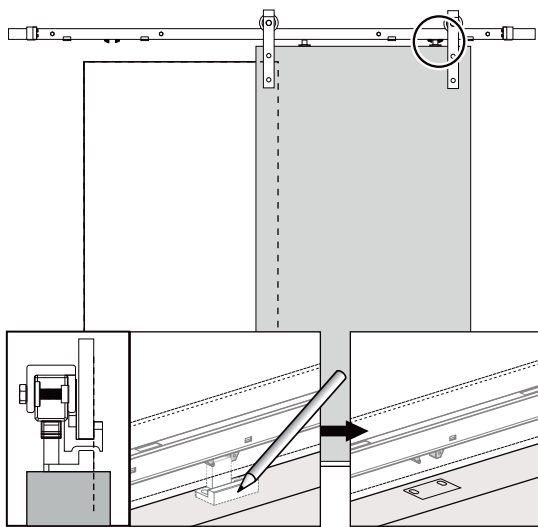


ii

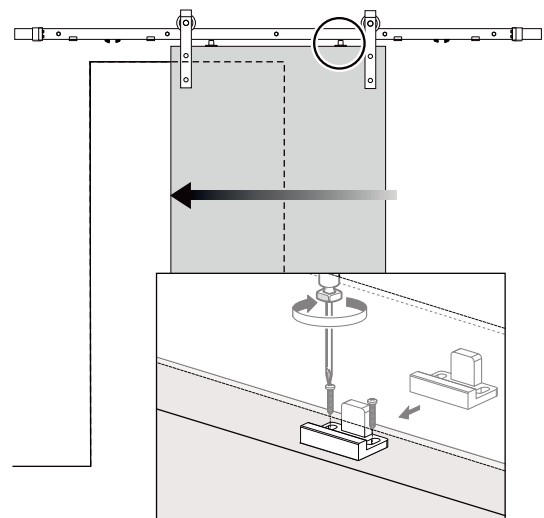


Move the soft closer to a proper position and tighten the screw of the connector to the rail completely.

iii

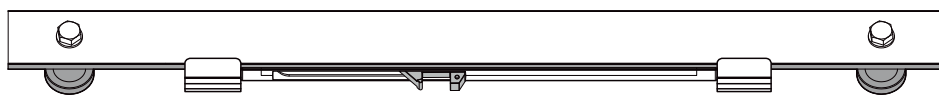


iv

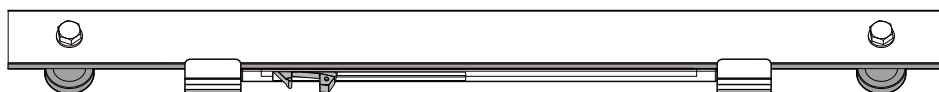


v

Right

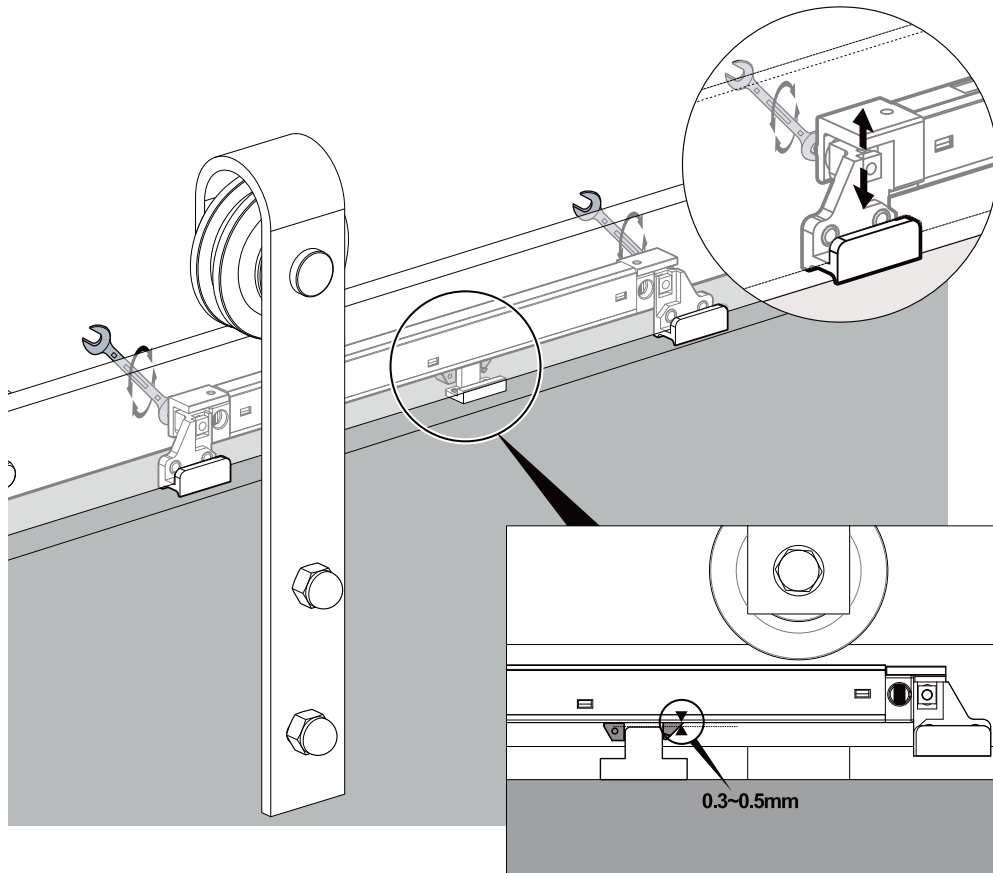


Slider closed



Slider opened

Installation of 80SCT Soft Close continued 5.



PDBH0020



ALLEGION™

Brio Australia
1800 098 094
info.au@allegion.com
www.brio.com.au

Brio NZ
+64 9 829 0550
nzinfo@allegion.com
www.brionz.com