



# FES15 Rim Mounted Electric Strike Installation Instructions

FES15 Non-monitored, surface mount electric strike for rim latch control

## Door Latch Position

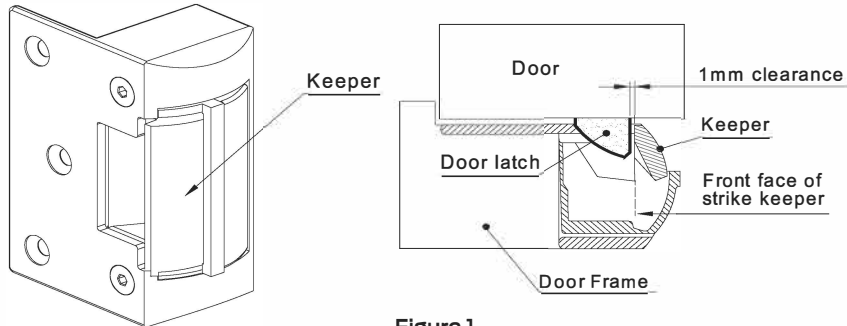


Figure 1.

As shown in Figure 1, there should be a 1mm gap between the door latch and the front face of strike keeper to prevent the door from exerting pressure on the keeper when door is closed.

## Mounting steps for FES15

1. Position the strikes against the frame, mark and drill the hole sizes as shown on Figure 2 and 3.
2. Drill cable exit hole on door frame.
3. Make sure electrical connections are followed correctly.
4. When the door is closed, ensure that there is no pressure on the front face of strike keeper.

## Power input 12VDC or 24VDC wirings

Power Input	12 VDC – current 200 mA Note: Select from pre-wired assembly to use plugs. There is no polarity on power input.	24 VDC – current 100 mA
Power wiring	<b>12 Volt plug:</b> RED ———→ BLUE ———→ YELLOW ———→ BLACK ———→ 12 VDC/ 200 mA	<b>24 Volt plug:</b> RED ———→ BLUE ———→ YELLOW ———→ BLACK ———→ 24 VDC/ 100 mA

## Install on Timber Door Frame

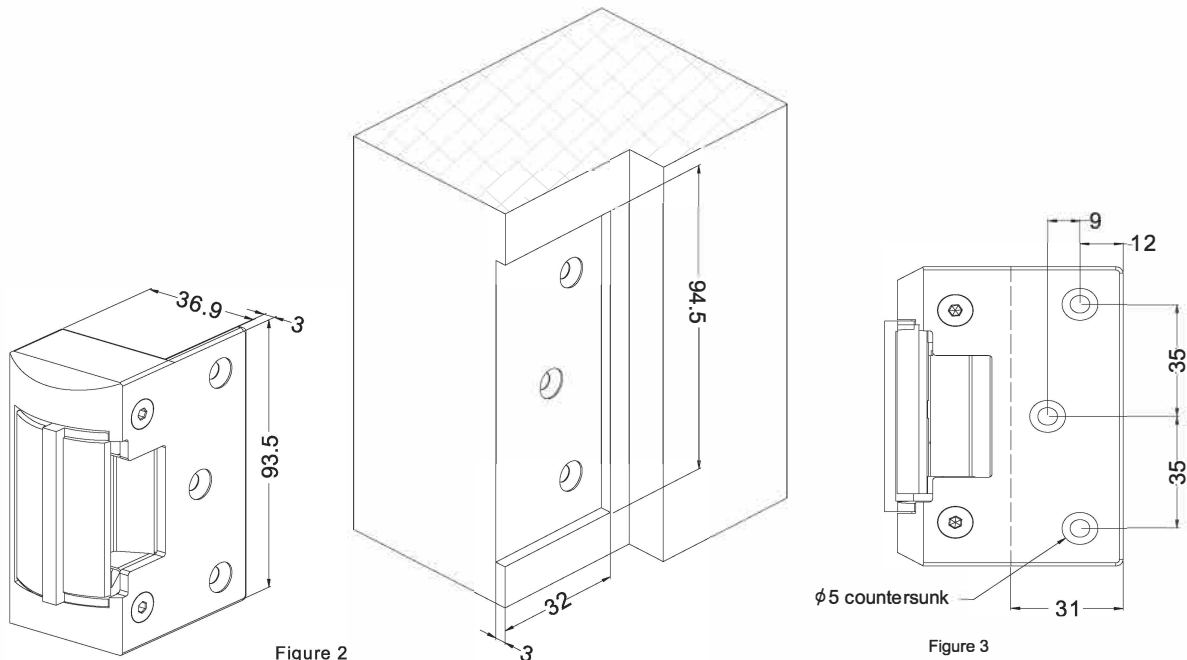


Figure 2

Figure 3

## Conversion: Power to Open <=> Power to Lock

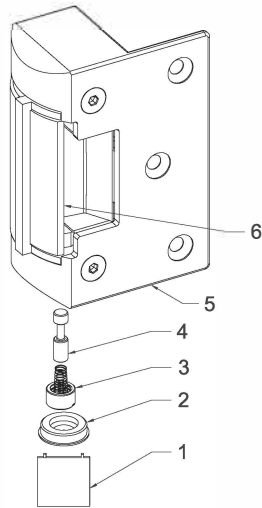


Figure 4A

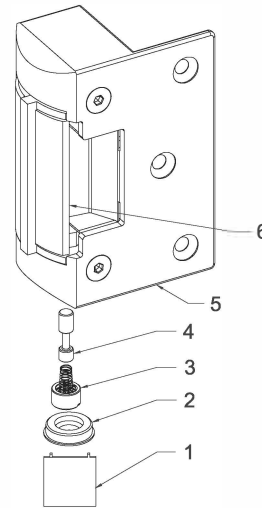
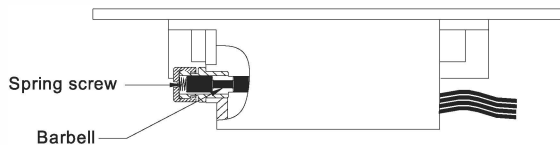
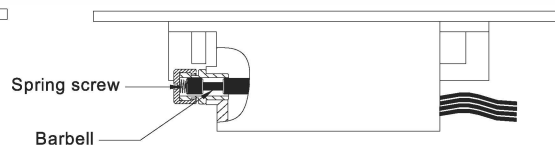


Figure 4B



POWER TO OPEN

Figure 4A



POWER TO LOCK

Figure 4B

### WARNING:

Do not attempt to swivel the keeper while changing the function. The spring screw must be in place before operating the strike.

### Procedure to convert Power to Open PTO (Figure 4A) to Power to Lock PTL (Figure 4B):

- Step 1: Remove the security plug cover (2) with the provided security screw (1).
- Step 2: Remove the spring screw (3) from the opening hole.
- Step 3: Remove the Barbell (4) and replace in reverse position with long part in and short part out.
- Step 4: Replace the spring screw (3) .
- Step 5: Refit the security plug cover (2) .

### Procedure to convert Power to Lock PTL (Figure 4B) to Power to Open PTO (Figure 4A):

- Step 1: Remove the security plug cover (2) with the provided security screw (1).
- Step 2: Remove the spring screw (3) from the opening hole.
- Step 3: Remove the Barbell (4) and replace in reverse position with short part in and long part out.
- Step 4: Replace the spring screw (3) .
- Step 5: Refit the security plug cover (2) .