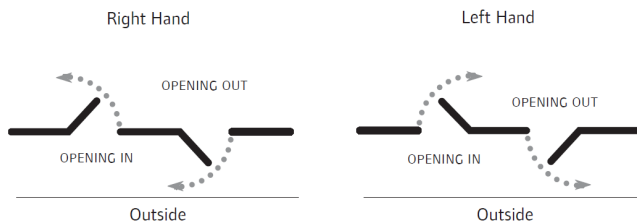


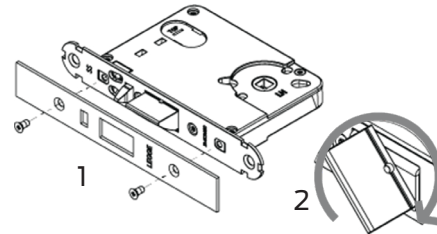


991MF Mortice Lock Installation Instructions

Handing Guide



To Reverse Bolt



1. Remove outer forend.
2. Pull and rotate bolt 180° clockwise.

991MF Handing/Function Adjustment

V Series handing adjustment (Inside handle free)

To set for left hand

Push in and turn clockwise.
Set adjuster as shown.

To set for right hand

Push in and turn anti-clockwise.
Set adjuster as shown.

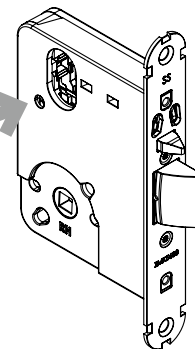
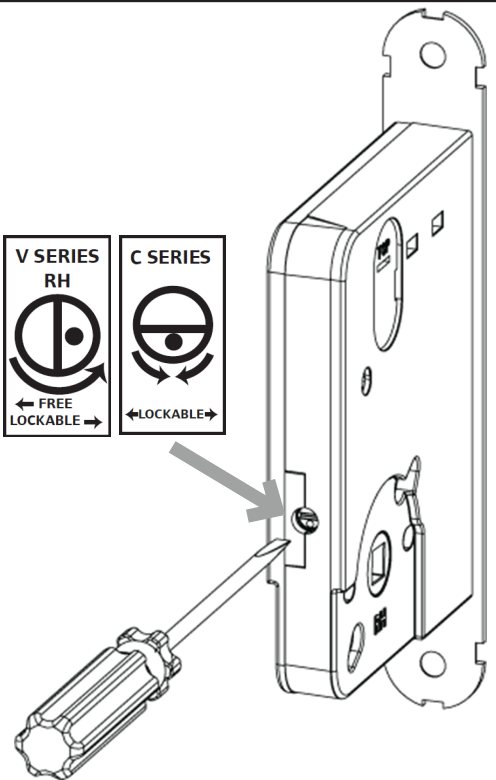
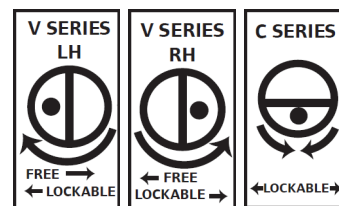
V9/V55

The Locking Bar must be down before installing.

To set for C Series (Both handles lockable)

Set adjuster as shown.

Install Anti-lockout screw, when used in conjunction with the 9A Adaptor.

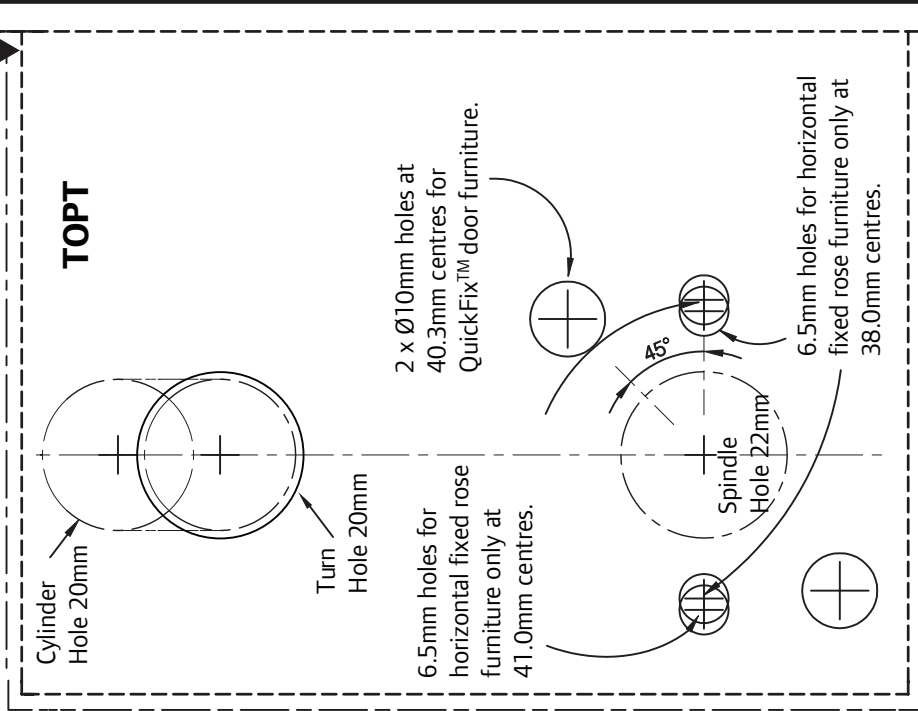


Allegion (Australia) Pty Ltd
Phone 1800 098 094
Website www.allegion.com.au

Allegion (New Zealand) Limited
Phone 0800 477 869
Website www.allegion.co.nz

Mortise Instructions

1. Cut mortise slot using template for correct size.
2. Fit lock into mortise, scribe around forend and remove wood to allow flush fit to door.
3. Remove lock and use template to mark and drill holes to suit lock and furniture being used.



DEPTH OF MORTISE IS 92MM FOR 60MM BACKSET

CHECK CAREFULLY:
DO NOT DRILL HOLES RIGHT THROUGH DOOR. THE FURNITURE MAY NOT COVER ANY HOLES THAT ARE INCORRECTLY DRILLED.



FOLD ON DOOR EDGE

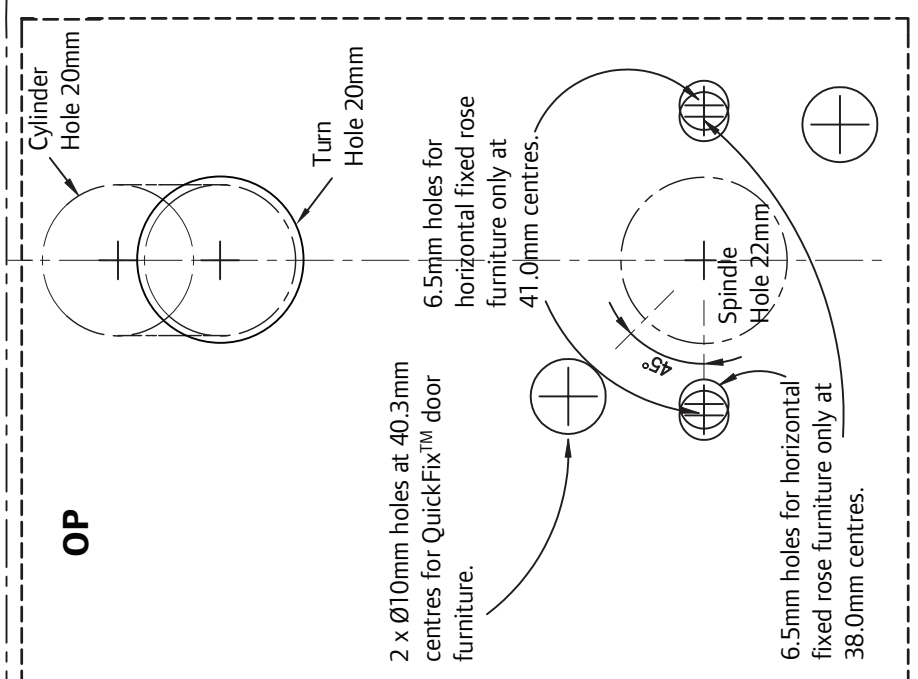
60mm Backset

IMPORTANT

A MAXIMUM CLEARANCE OF 5mm IS RECOMMENDED BETWEEN LOCK FOREND AND STRIKER PLATE FOR SECURITY REASONS.

990MF LOCKS ARE DESIGNED FOR USE WITH SPRUNG DOOR FURNITURE. THE USE OF UNSPRUNG DOOR FURNITURE IS NOT RECOMMENDED.

OP



FOLD ON DOOR EDGE