



# Schlage Breeze Hotel

Smart Hotel Security System

Discover more at [schlage.co.nz](https://schlage.co.nz) or [schlage.com.au](https://schlage.com.au)





## Designed for maximum convenience for both hotel guests and staff

Designed specifically for the hospitality industry, the Schlage eGO Smart Hotel Lock makes guest access simple.

Combined with Schlage Breeze Hotel, the Schlage eGO Smart Hotel Lock is a complete, electronic, guest and staff access system.

### Features

- **Access by app** – Schlage eGO can be operated with the Schlage Breeze Hotel app. This allows guest functions like virtual check-in, and staff functions like lock audit trails, or remote access for guest lock-outs, for example.
- **Access by card** – Users open the door by simply holding the card up to the reader. This technology eliminates friction and contact, resulting in less wear and tear.
- **Mechanical override** – Schlage eGO is fitted with a concealed cylinder for key access in an emergency. This ensures non-invasive access to the room, guaranteeing maximum protection for hotel guests and preventing damage to the door or lock.
- **Battery powered** – Schlage eGO is powered by standard, off-the-shelf batteries which guarantee long life and ensure the lock remains fully functional even in the event of a power failure.
- **Do not disturb** – Schlage eGO has a privacy function by a turn on the internal plate. This feature provides an led indication of the room status and privacy for guests from cleaning or floor staff without manager level access.



Guest and staff apps



Card or phone app access



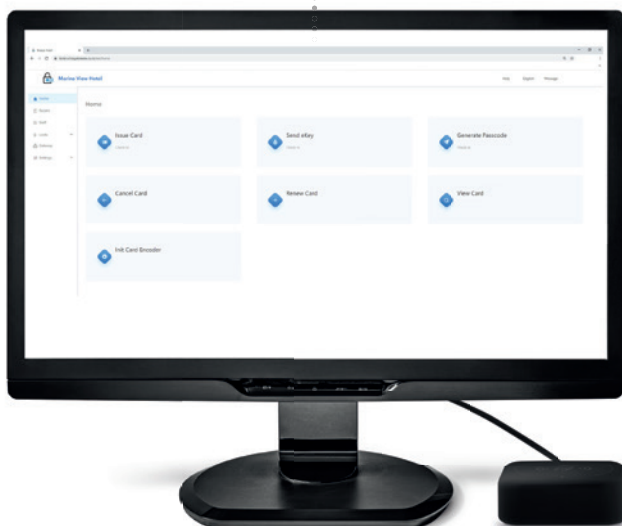
Battery powered



Do not disturb - privacy turn



Key override



Schlage Card Encoder (BZ200)

## SCHLAGE BREEZE HOTEL

Schlage Breeze Hotel is a guest access system that brings the future of hotel locking to your fingertips.

Create keys in just a couple of clicks, thanks to a simple and intuitive interface that highlights the functions you use most.

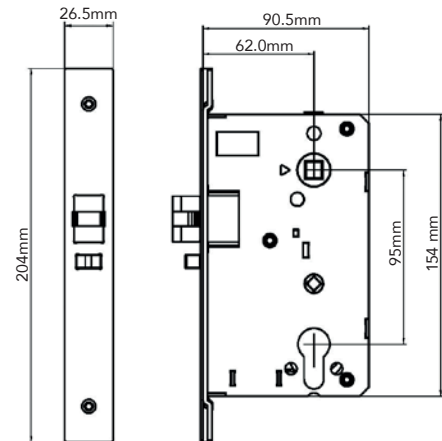
Your data is always safe and accessible on the cloud with Schlage Breeze Hotel. No need for backups or lengthy system recovery procedures when rebooting.

### Features

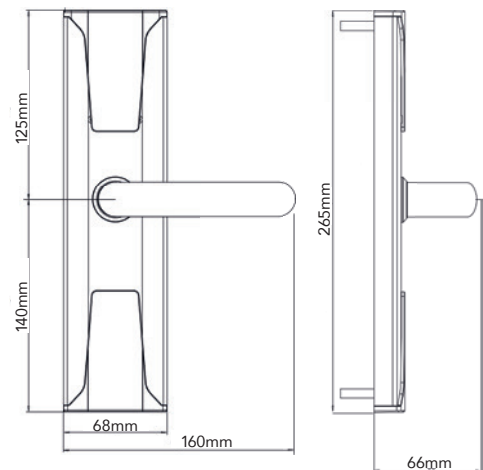
- **Access** – Programme cards or allow app-based access for given time periods, days of the week, or your staff shifts.
- **Security** – Quickly and easily cancel access for lost or stolen cards / phones.
- **Control** – View the access audit trail. Easily trace who opened the door and when.
- **Quick check-in** – Only 3 easy steps and the card is setup.
- **Dedicated guest card** – New cards automatically cancel previous ones, guaranteeing greater security and ensuring only the new guest can open the door.
- **Home page** – More intuitive thanks to an overview which groups together the most important information and the most frequent operations.
- **Management by areas** – Groups together doors by areas to view and programme keys more quickly.
- **Real-time connectivity** – Schlage Wi-Fi Bridge pairs your Schlage eGO Smart Hotel Locks to your Wi-Fi. It allows admin access to the Schlage Breeze Hotel system from anywhere.
- **Minimal equipment** - Schlage Breeze Hotel requires a computer with Microsoft Windows 10 or later, internet connection and a Card Encoder to read and programme cards.

Hardware Specification	
Materials	External/Internal plates: Aluminium, ABS plastic and zinc Mortice lock: Steel and stainless steel
Finishes	Satin silver
Door thickness	40 - 60mm
Weight	Packed: 2.1kg (mortice lock, spindles, external and internal plates, handles)
Spindle size	8mm
Backset ANZ centre distance	62mm
Mechanical lock	Latch only mortice lock
Operating temperature	From -10°C to 70°C (with specified batteries)
Compliance	Handles: AS 1428.1—2001 compliant return to door lever Internal lever provides free egress at all times
Life cycle	≈ 200,000 cycles
Wireless Technology	Bluetooth 4.0
Battery	4 x 1.5V AAA alkaline
Battery durability	≈ 20,000 cycles (depending on operating conditions)
Internal / External plate	263mm (L) × 68mm (W) × 71mm (D including handle)
Certifications	RCM certified Successfully tested to AS 1905 1-2005 up to 120 minutes (Refer to fire door manufacturer)
Intended use	Battery powered, electronic access control for guest room doors
Suitable environment	For internal or external applications
Form factor	RFID reader integrated into the external plate Battery holder integrated into the internal plate
Do not disturb	Do not disturb function activated by a turn on the internal plate
Key override	Mechanical key override for emergency access Euro profile half cylinder concealed under plastic cover
Credentials	Contactless RFID Mifare ISO 14443A Lock wake-up function activated by card from 2cm (max.)
Audit trail	Last 500 events
LED Indication	Multicolour LED on external plate for battery level and privacy status
Management system	Schlage Breeze Hotel PC Software and app (SDK / API for PMS integration available)
Data encryption	128-bit and 256-bit AES encryption
Minimum requirements	Schlage Breeze Hotel app: iOS 9.0 & Android 4.3 Schlage Breeze Guest app: iOS 9.0 & Android 4.3 Schlage Breeze Hotel (PC software): Microsoft Windows 10 or later

**ANZ Mortice Lock**



**Schlage eGO Plate Dimensions**



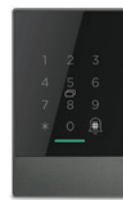
Accessories



Schlage Wi-Fi Bridge (BZ100)



Schlage Card Encoder (BZ200)



Schlage Keypad Controller (BZ300)



Schlage Lift Controller (BZ400)

Customer Service  
**1800 555 600**

Locksmithing  
**1800 555 700**

Purchase Schlage products through Access Hardware to earn 1 Qantas Point per \$1 spent for your business\*. Find out more by calling Access Hardware customer service on 1800 555 600 or visit [accesshardware.com.au](http://accesshardware.com.au)



**About Allegion™**

Allegion (NYSE: ALLE) is a global pioneer in seamless access, with leading brands like CISA®, Interflex®, LCN®, Schlage®, SimonsVoss® and Von Duprin®. Focusing on security around the door and adjacent areas, Allegion secures people and assets with a range of solutions for homes, businesses, schools and institutions. Allegion had \$2.7 billion in revenue in 2020, and its security products are sold around the world.

