

LCN

Benchmark Automatic Operators

Door controls & operators



LCN's electromechanical products are designed primarily for automatic opening applications that occasionally require manual opening. A control box provides all electrical functions. These self-contained units are suitable for use on single leaf doors or pair of doors. These products combine all the control and power elements into a single operator package, only some actuators are required to complete the system.

Designed primarily for automatic opening applications that occasionally require manual opening, the electrically powered low-energy operator provides easy access for people with disabilities, the elderly or the frail.

Features

- Opening time from full close to backcheck is no faster than 3 seconds
- Operators mounted according to the LCN installation instructions require no periodic maintenance or adjustments, although monthly, quarterly and annual visual inspection are recommended
- On/Off switch included as standard
- Non-handed for either right or left swinging door
- 686mm cover is standard. Full length covers available up to 1245mm for single doors
- All potentiometers clearly labelled with their functions
- LED lights indicate power to control box and motor gearbox
- Push-'n-go permits non-switch activation
- Microprocessor control box ensures reliability and maintains customer settings
- Tested internally to over 3,000,000 cycles
- Power boost allows for increased closing force near latch
- Each unit is pre-programmed to factory default settings. Any subsequent field adjustments replace the original field adjustments
- On-board power supply – provides 24VDC output to power card readers, manual actuators and other peripherals
- Electronic circuit protection – fused input circuit protection and fused output protection for 24 VDC peripherals
- Visual function indicators – 2 LEDs for installation and troubleshooting feedback. The motor LED will illuminate when the motor drive circuit energizes

Specification guide

Prefix	Function
LCE	9130 Pull 65006 9140 Push 65007

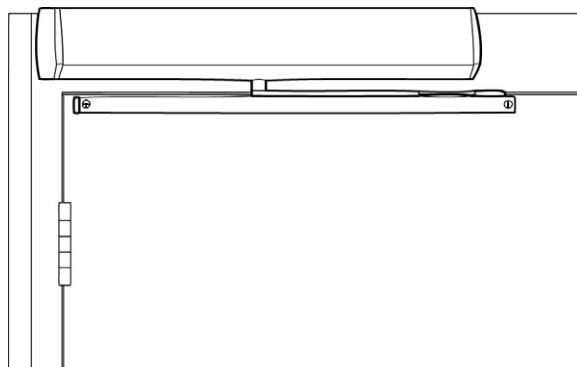
1. Prefix
All codes are prefixed with LCE
2. Function
Select the desired function - e.g. push LCE65007

Specifications	
Housing	229mm x 32mm x 38mm
Electrical ratings	EPT 2 Two 18 gauge wires up to 2 amps @ 24VDC, with a 16 amps maximum surge EPT 10 Ten 24 gauge wires, up to 1 amp @ 24VDC, with a 16 amps maximum surge
Door thickness	44mm minimum
Warranty	1 year

Specifications	
Static holding force	680kg
Input voltage	12-24 VDC
Current draw	250mA@12VDC 125mA@24VDC
Latch cavity length	39mm
Latch cavity width	18mm
Door clearance	>=3mm
Weight	650 kg
Depth of latch tongue	12/15mm (with door gap 3mm)
Strike lip	15mm
Operating temperature	-20°C to 60°C
Monitoring	Door position switch (DPS) 30VDC, 0.5A Lock position switch (LPS) 30VDC, 2A
Fail safe	Interchangeable with or without monitoring
Fail secure	Interchangeable with or without monitoring
Extension lip option 1	25mm
Extension lip option 2	50mm
Certifications	C-Tick Certified, CE approved
Warranty	5 year

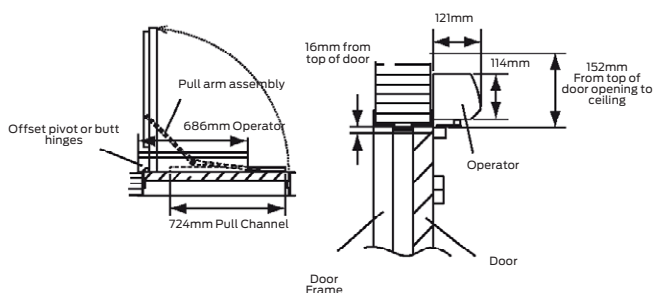
LCN 9130 pull operator

Pull side mounting



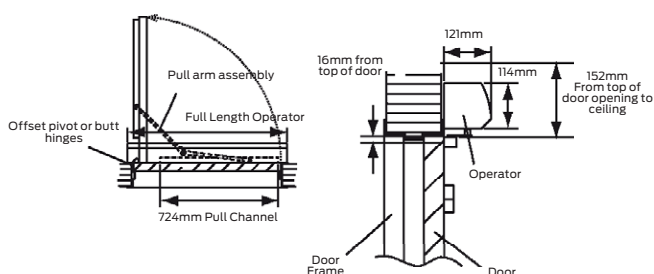
- Single door, surface mount (pull) offset pivot/butt hinge
- 9130 Series operator is shipped with motor gearbox, control box, mounting plate, standard arm, metal cover, standard track, wood and machine screws

Standard cover mounting



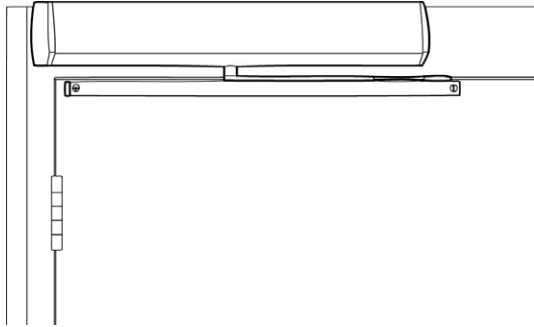
- Maximum opening – template allows 90 degree power opening and 90 degree manual opening
- Butt hinges should not exceed 127mm in width
- Reveal should not exceed 3mm
- Head frame minimum 51mm
- Top rail minimum 51mm
- Opening and closing time are variable by adjustments to the electronic control module located on the operator assembly
- Adjustable maximum hold open time

Full cover mounting



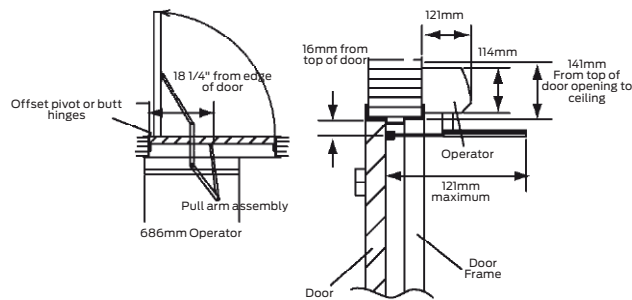
LCN 9140 push operator

Push side mounting



- Single door, surface mount (push) offset pivot/butt hinge
- 9140 Series operator is shipped with motor gearbox, control box, mounting plate, regular arm, metal cover, standard track, wood and machine screws

Standard cover mounting



- Maximum opening – template allows 90 degree power opening and 90 degree manual opening
- Butt hinges should not exceed 127mm in width
- Reveal for push installations should not exceed 152mm for regular arm and 248mm for long arm
- Head frame minimum 51mm
- Top rail minimum 51mm – flush ceiling installation requires 133mm minimum
- Opening and closing time are variable by adjustments to the electronic control module located on the operator assembly
- Maximum hold open time adjustable up to approximately 30 seconds
- Please consult your local Allegion representative for assistance with specific installations and material requirements

Full cover mounting

