



Privacy Plus



Great design should simplify the complex. Legge Privacy Plus offers a simple solution for the often complicated task of managing access to one room via multiple doorways. This electronic locking system is capable of enabling four different levels of privacy and security from one controller.

Whether the system is configured to Standard Privacy, Secure Privacy, Air Lock or Man Trap, will be dependent on the desired degree of privacy, security and the needs of varying facilities.

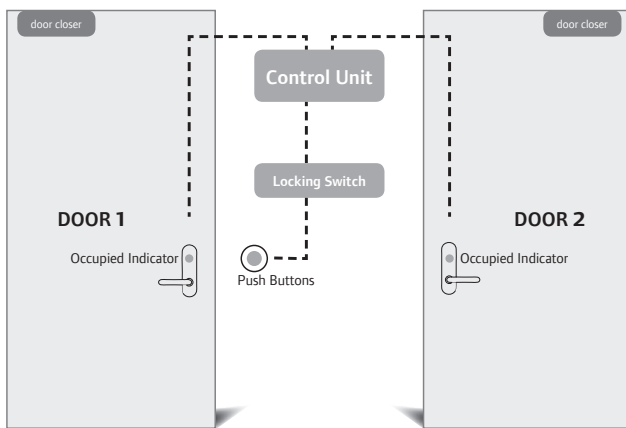
Combined with renowned Legge electric mortice locks and door furniture, the Legge Privacy Plus Electronic Locking System presents a high performing, aesthetically pleasing option for any commercial environment with multiple access challenges.

Features

- If a door is left open the LED will start to flash to notify occupants.
- Power supply (12 volt 1 amp) is supplied with the controller.
- Controller is Australian made.
- Controller Pack includes 2 x 7.5mtr cables to connect locks to controller.
- All switches, locks, power transfer and cabling are supplied for easier purchasing and project management.

Specification Guide

LPP	STDP	LA700LEDS
Privacy Plus	Complete Kit	Door Furniture with LED
Door Control Unit	Standard Privacy..... STDP	refer Door Furniture
	Secure Plus..... SECP	
	Air Lock..... ALP	
	Man Trap..... MTP	
1. Secure Plus Privacy Controller		
Order Door Control Unit		LPP
2. Switch Kit		
Select the desired function		
e.g. Switch Kit 2		STDP
3. Lever		
Select the required lever design with LED - Concealed Outside & Visible Inside		
e.g. LA700LEDS		LA700LEDS



Specifications

Door Type	Timber
Finishes	as per door furniture selection
Warranty	Electrical: 1 Year Mechanical: 10 Years

Operation

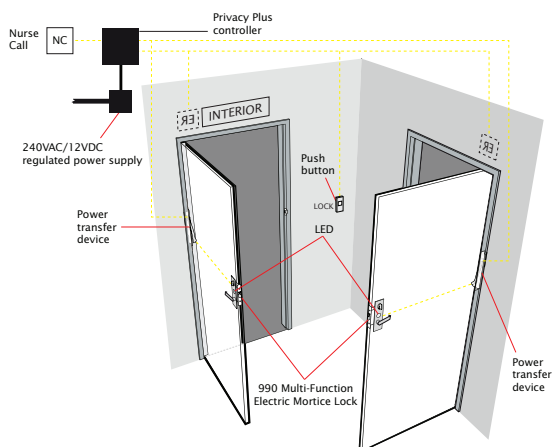
Configuration	Prior to Entry	Locking Scenario	Unlocking Scenario	Suitable Applications	Activation	Advantages
Standard Privacy	Doors are unlocked when room is vacant. LED's are green.	Upon push of switch from inside, all doors lock.	Upon operation of any inside door lever all doors unlock. Exit can be made through either door.	<ul style="list-style-type: none"> • Sound studios • Conference rooms • Bathrooms 	Push Button/ Lever handle	<ul style="list-style-type: none"> • Automated privacy • Simple operation • Others sharing a room have access (when room is not occupied)
Secure Privacy	Doors are locked when room is vacant. LED's are red.	Upon push of switch from outside, the one door unlocks. Upon push of switch from inside, the door entered through locks.	Upon push of unlock switch, the door entered from will open. Once closed the door will automatically lock again.	<ul style="list-style-type: none"> • Shared ensembles in hotels, hospitals and aged care facilities 	Push Button	<ul style="list-style-type: none"> • Inter-room travel is prevented to provide an extra level of security • Automated privacy • Simple operation
Air Lock	Doors are unlocked when both doors are in closed position. LED's are green.	Opening either door via lever handle will allow access and simultaneously lock the other door creating an air lock.	Closing the open door resets the system and both doors are unlocked.	<ul style="list-style-type: none"> • Operating Rooms • Research and scientific labs • Darkroom studios 	Lever Handle	<ul style="list-style-type: none"> • Air lock is created as the second door is disabled during operation of first door. Nothing can pass through one door while the other is open. • Automated privacy and security
Man Trap	Doors are locked on both sides. LED's are red.	Upon push of switch from outside, the one door unlocks. Whilst the door is opened, the other door remains locked and cannot be unlocked by the outside switch.	Closing the open door resets the system and both doors are locked.	<ul style="list-style-type: none"> • High Security Facilities • Cash handling • Scientific Laboratories 	Push Button	<ul style="list-style-type: none"> • Man trap is created as the second door is disabled during operation of first door. No one can enter or exit room while the other door is open. • Automated security

Standard Privacy

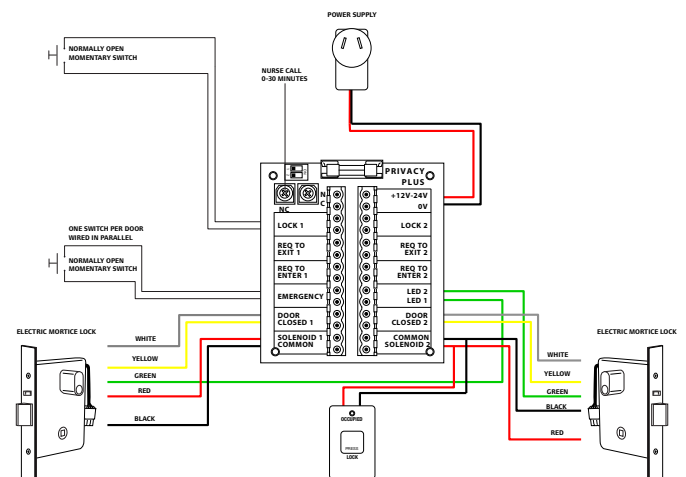
This locking control system ensures that when a room with multiple doorways is entered via one door and locked from the inside that both doors are locked externally. Also included is the capability to set up an alarm for monitoring purposes of a locked time lapse.

Configuration	The electric mortice locks are set to Fail Safe function and to a vestibule setting so both handles are unlocked when no power is used.
Prior to Entry	Both doors are unlocked on both sides when the room is vacant. The LED's on the door furniture internally and externally are green.
Locking Scenario	With the press of the lock switch inside the room both doors will lock and all the LED's turn red.
Unlocking Scenario	Operating either lever within the room will unlock all doors and return the LED's to green. Exit can be made through either door.
Activation	Door levers/switches.
Advantages	Automated privacy with extremely simple operation to lock or unlock the room. Others sharing the room also have access when the room is not occupied.
Locked Time Lapse	Can be adjusted for a desired amount of time before an alarm is set off. Firmware is set to 0-30 minutes.
Suitable Applications	Shared en suites, sound studios, darkroom studios, and conference rooms.

Configuration



Wiring Diagram

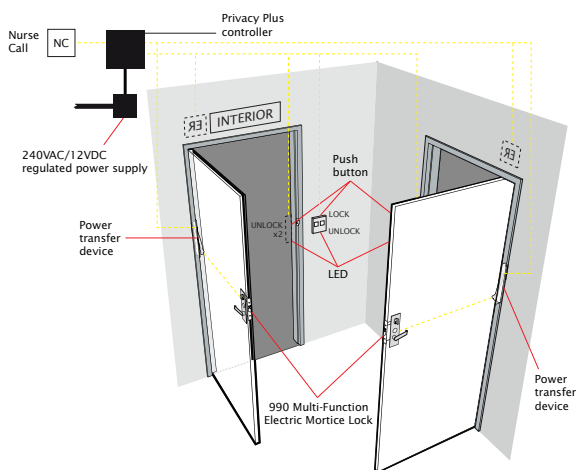


Secure Privacy

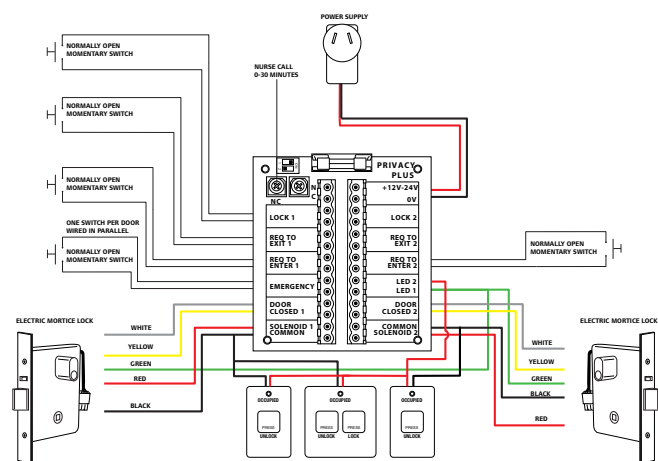
When the room is vacant, all doors are locked and all furniture LED's are red. Occupants can only exit via the door they originally entered, eliminating interroom travel. Also included with this unit is the capability to set up an alarm to alert security or care givers if an occupant has been in the room longer than a designated time.

Configuration	The electric mortice locks are set to Fail Safe function and to a combination setting so both handles are locked when power is on and to unlock if there is a power failure i.e. blackout.
Prior to Entry	The doors are locked when the room is vacant. The lock LED's are red, switch LED's are off.
Locking Scenario	With a push of the 'Unlock' button outside, this door unlocks only allowing entry into the common space. With a push of the 'Lock' switch inside the room, the door is now locked and the 'unlock' switch in the joining room will be disabled. Both locks have a red LED inside and out indicating locked. The 'Occupied' LED on the external 'unlock' switches and the internal 'lock/unlock' switch will now be flashing red.
Unlocking Scenario	With the push of the 'Unlock' switch inside the room, the door that was entered through is the only door that unlocks, indicated by flashing green LED. Once the door has been opened then closed, this will automatically lock the door again and reset the system allowing either room to unlock and enter the shared space. Both locks have a red LED inside and out indicating locked. The red LED's on the switches are now off indicating room available.
Activation	Momentary switch mechanisms supplied.
Advantages	Inter-room travel is prevented to provide an extra level of security and automated privacy. The Secure Privacy Plus system also has an additional adjustable timed output that can be integrated with nurse-call systems. This provides an alert if a guest or occupant has been engaged in the room for an extended period of time (possible injury, fall or requiring assistance) as predetermined by a time set on the controller during installation.
Locked Time Lapse	The potentiometer (NC) which can be adjusted for a desired amount of time before an alarm is set off. Firmware is set to 0-30 mins.
Suitable Applications	Shared en suites in hotels, hospitals, aged care & mental health facilities.

Configuration



Wiring Diagram

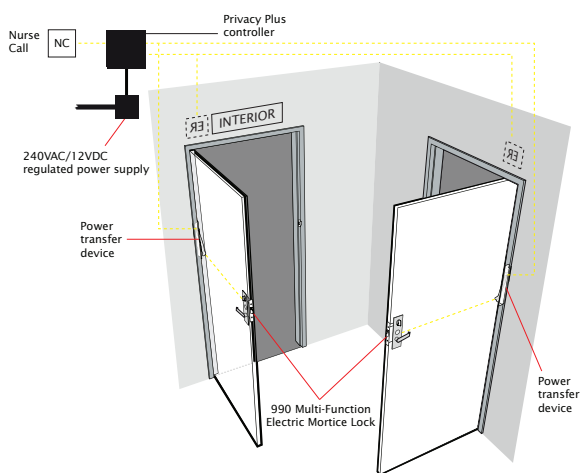


Air Lock

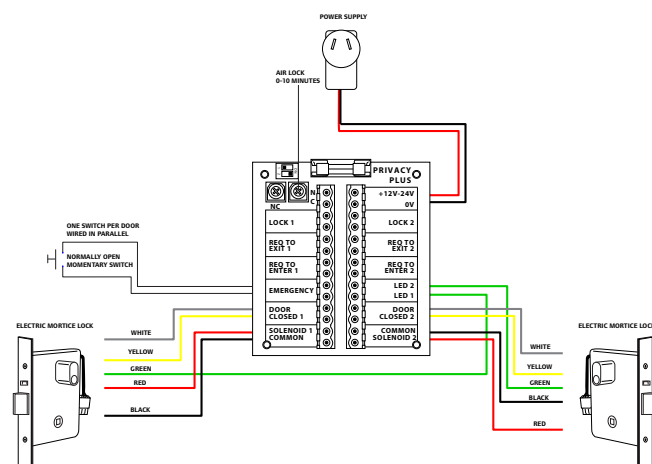
The Air Lock Privacy Plus system is ideal for operating rooms, research and scientific type laboratories. This locking control system ensures that either door is operable until one is opened ceasing access through the other until the first is closed.

Configuration	The MFE locks are set to Fail Safe functionality and to a combination setting so both handles are locked when power is on.
Prior to Entry	The doors are unlocked when both doors are in the closed position. The LED's are green.
Locking Scenario	With the opening of either door, via the lever handle, this will allow access and simultaneously lock the other door creating an air lock.
Unlocking Scenario	Closing the opened door will reset the system status and both doors will unlock allowing access out either door.
Activation	This is through the lever handle and door position mechanism.
Advantages	Air lock is created as the second door is disabled during the operation of the first door. Nothing can pass through one door while the other is open. This gives automated privacy and security.
Suitable Applications	Operating rooms, research and/or scientific laboratories

Configuration



Wiring Diagram

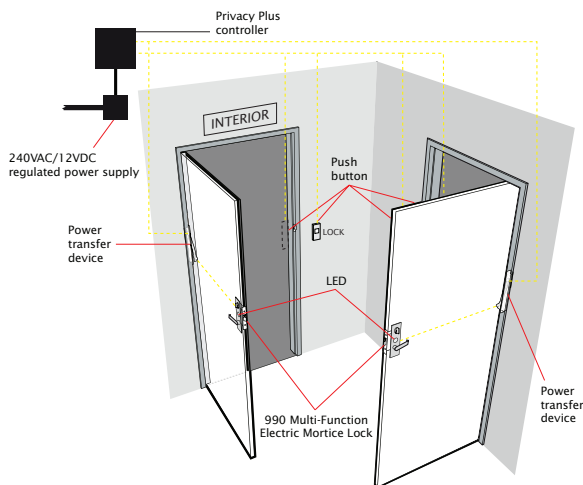


Man Trap

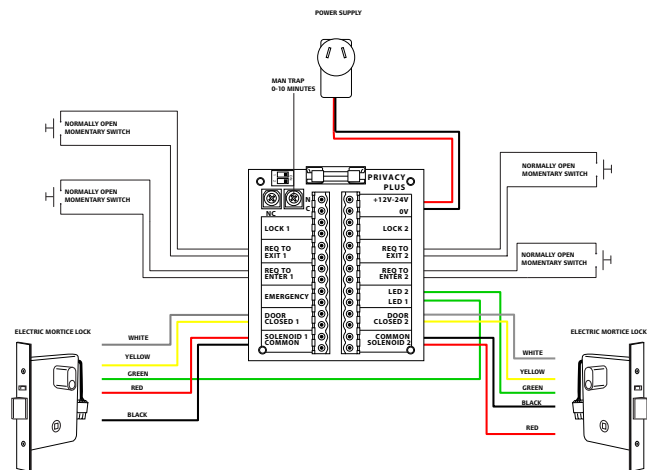
Man Trap Privacy Plus locking system is ideally suited for high security facilities, research and scientific laboratories, and cash handling facilities. This locking control system ensures that when a door is entered, all other doors are locked. A time delay is then enforced before another door is opened.

Configuration	The electric mortise locks are set to Fail Secure functionality and to a combination setting so both handles are locked when no power is used.
Prior to Entry	The doors are locked on both sides and when both doors are in the closed position. The LED's are red.
Locking Scenario	With the press of an outside switch, the one door unlocks. Whilst this door is open the other door remains locked and cannot be unlocked, inside or outside until the first door is closed.
Unlocking Scenario	Closing the opened door will reset the system status and either door will now unlock via the press of the internal switch allowing access out either door. This is after a short time delay.
Activation	This is through the momentary doorbell press switch.
Advantages	Man trap is created as the second door is disabled during the operation of the first. No one can enter or exit the room while the other door is open. This is automated security allowing time for cameras, hepa filters etc. to work within the time delay.
Suitable Applications	High security facilities, cash handling rooms, research and scientific laboratories.

Configuration



Wiring Diagram



IRT881 Power Transfer

This kit provides a means of transferring electrical power from a door frame to the edge of a swinging door.

Finishes: Satin Stainless Steel.

