



# Barrel Bolts

General hardware



Originating in the 1850's the barrel bolt is still an integral part of door hardware. Simple and effective, Legge barrel bolts are no exception. Made of brass and available in a variety of finishes to match other hardware, the barrel bolt is an important security product.

## Features

- Available necked, long throw and straight to suit a variety of applications
- Visible fixing
- Supplied with screws and strike keeper
- Suitable for timber and metal doors
- The 10 year warranty provides specifiers and users with assured quality and performance

# Specification guide

Model	Size	Finish
Necked ..... DAX1731	100mm x 6mm ..... -01	Chrome plate ..... CP
	150mm x 10mm ..... -02	Polished brass ..... PB
Straight ..... DAX1751	100mm ..... -01	Satin chrome plate ..... SCP
	150mm ..... -02	Polished brass ..... PB
	200mm ..... -03	Satin chrome plate ..... SCP
	300mm ..... -04	
	Long throw (25mm throw)	
	150mm ..... -02LT	Satin chrome plate ..... SCP
	200mm ..... -03LT	

- Model  
Select the desired model e.g. Necked ..... DAX1731
- Size  
Select the desired size e.g. 150mm ..... DAX1731-02
- Finish  
Select the desired finish e.g. Satin chrome plate ..... DAX1731-02SCP

## 1731 Necked barrel bolt

With screws and strike keeper  
100mm x 6mm, 150mm x 10mm  
**Shoot:** Brass, 25mm throw  
**Finishes:** Chrome plate, polished brass, satin chrome plate



### Specifications

<b>Door type</b>	Timber or metal
<b>Material</b>	Brass
<b>Finishes</b>	Chrome plate, polished brass, satin chrome plate
<b>Warranty</b>	10 year mechanical

## 1751 Barrel bolt

With screws and strike keeper  
100mm, 150mm, 200mm, 300mm  
**Shoot:** Brass, 25mm throw  
**Finishes:** Polished brass, satin chrome plate

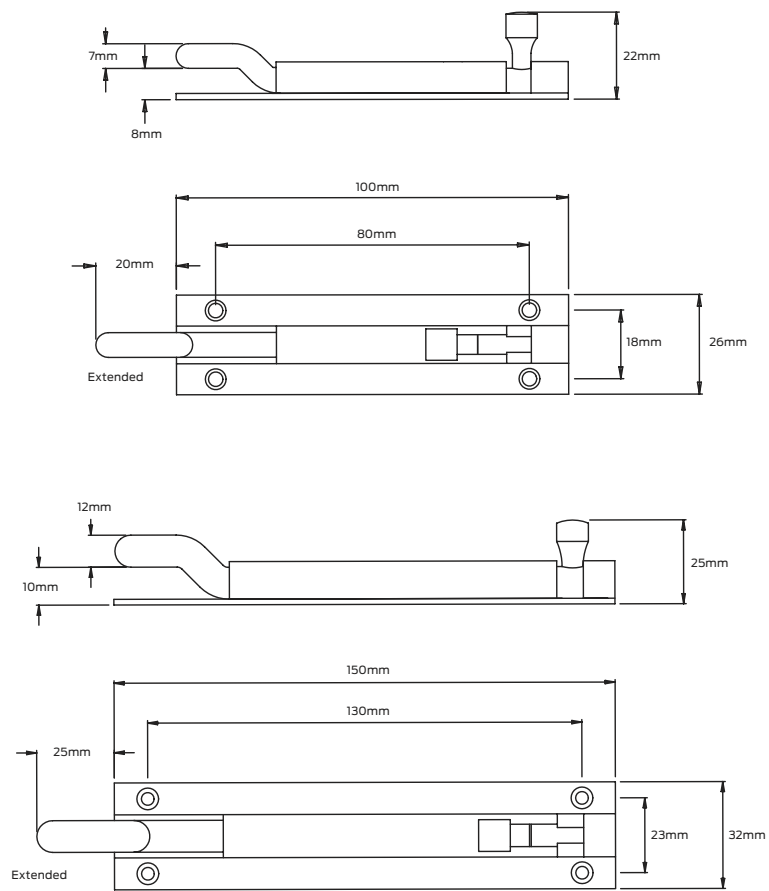


## 1751 Long throw barrel bolt

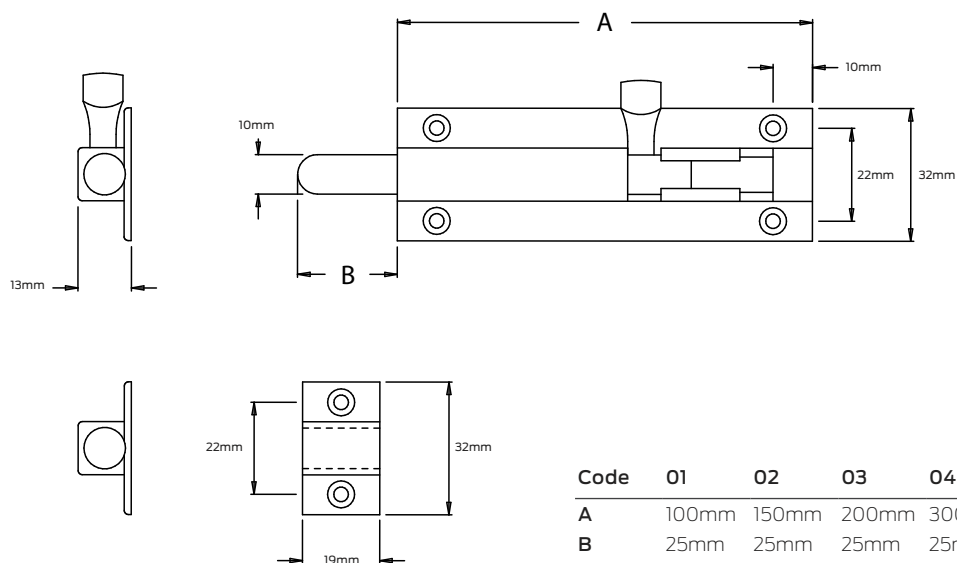
With screws and strike keeper  
150mm, 200mm  
**Shoot:** Brass, 40mm throw  
**Finish:** Satin chrome plate



### 1731 Necked barrel bolt



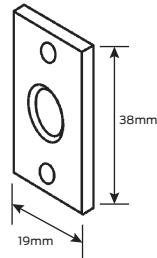
### 1751 Barrel bolt



# Legge Barrel Bolts accessories

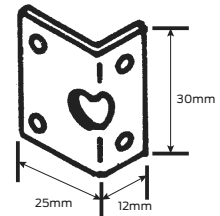
## 1744 Floor plate

Floor plate to suit 1731  
38mm x 19mm  
**Finishes:** Polished brass, polished stainless steel, satin stainless steel



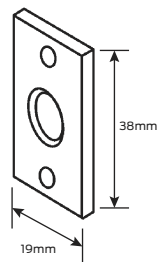
## 1755 Angle plate

Angle plate to suit 1751  
30mm x 25mm x 12mm  
**Finishes:** Chrome plate, polished brass, satin stainless steel



## 1756 Floor plate

Floor plate to suit 1751  
38mm x 19mm  
**Finishes:** Chrome plate, polished brass, satin stainless steel



## 1758 Ferrule

Ferrule to suit 1751  
11mm diameter hole  
**Finishes:** Brass, polished brass, satin chrome plate



## 1759 Shoot

10mm shoot to suit 1751  
11mm diameter hole  
**Finishes:** Aluminium, brass

