



# Catches

General hardware



Simple and effective, Legge double ball catches and roller catches provide an easy way to hold doors closed where standard latching hardware is not required. Double ball catches are typically used on cupboard and wardrobe type doors and roller catches on front entry or corridor type doors that may require a more positive action.

## Features

- Supplied with fixing screws
- Suitable for timber and metal doors
- Ball catches are made from solid brass construction
- 15201 roller catch utilises durable nylon roller, ensuring quiet operation
- 15211 heavy duty roller catch is made entirely from 304 grade satin stainless steel. It is also fire rated for 2 hours and can be easily adjusted for different door clearances via the front mounting plate
- The 10 year warranty provides specifiers and users with assured quality and performance

# Specification guide

Model	Size	Finish
Roller catch..... DAX15201	N/A	Chrome plate..... CP
Roller catch..... DAX15211	N/A	Polished brass..... PB
Ball catch..... DAX15251	50mm.....-02	Satin chrome plate..... SCP
	70mm.....-04	Satin stainless steel..... SSS
		Brass..... BR

## 1. Model

Select the desired model e.g. Ball catch ..... DAX15251

## 2. Size

Select the desired size e.g. 50mm ..... DAX15251-02

## 3. Finish

Select the desired finish e.g. Brass ..... DAX15251-02BR

### Specifications

<b>Door type</b>	Timber or metal
<b>Material</b>	See individual products on the next page
<b>Finishes</b>	15201 - Chrome plate, polished brass, satin chrome plate 15211 - Satin stainless steel 15251 - Brass

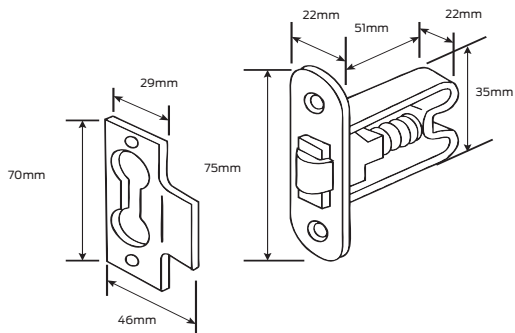
### Accreditations



Fire Rated: DAX15211 is fire rated for 2 hours in accordance with Australian Standards AS/NZS 1905.1-2005, for use on fire resistant doorsets **as a secondary latching device only**, refer to fire door manufacturers for specific approval details

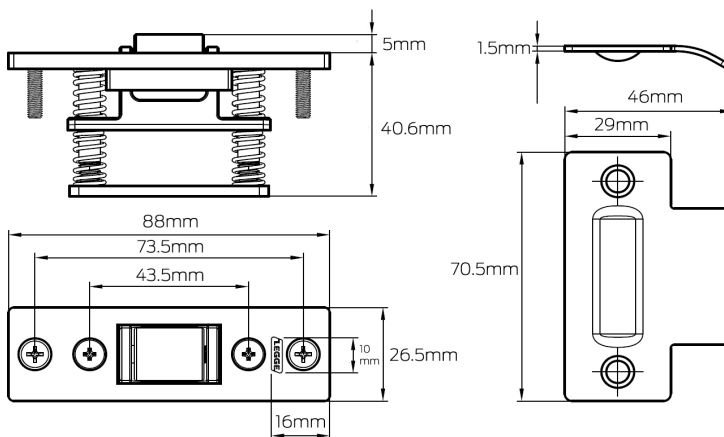
### 15201 Kevdon Roller Catch

Supplied with screws. Stainless steel body, stainless steel or brass faceplate and strike, nylon roller  
**Finishes:** polished brass, polished stainless steel, satin stainless steel



### 15211 Heavy Duty Roller Catch

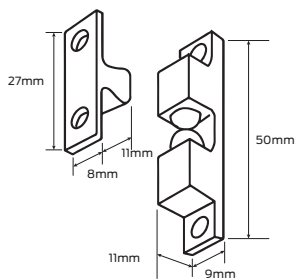
Supplied with screws and face plates. 304 stainless steel components  
**Finish:** Satin stainless steel



### 15251 Double Ball Catch

Supplied with screws. Brass body and catch, stainless steel ball bearings  
**Finish:** Brass

#### 15251-02



#### 15251-04

