

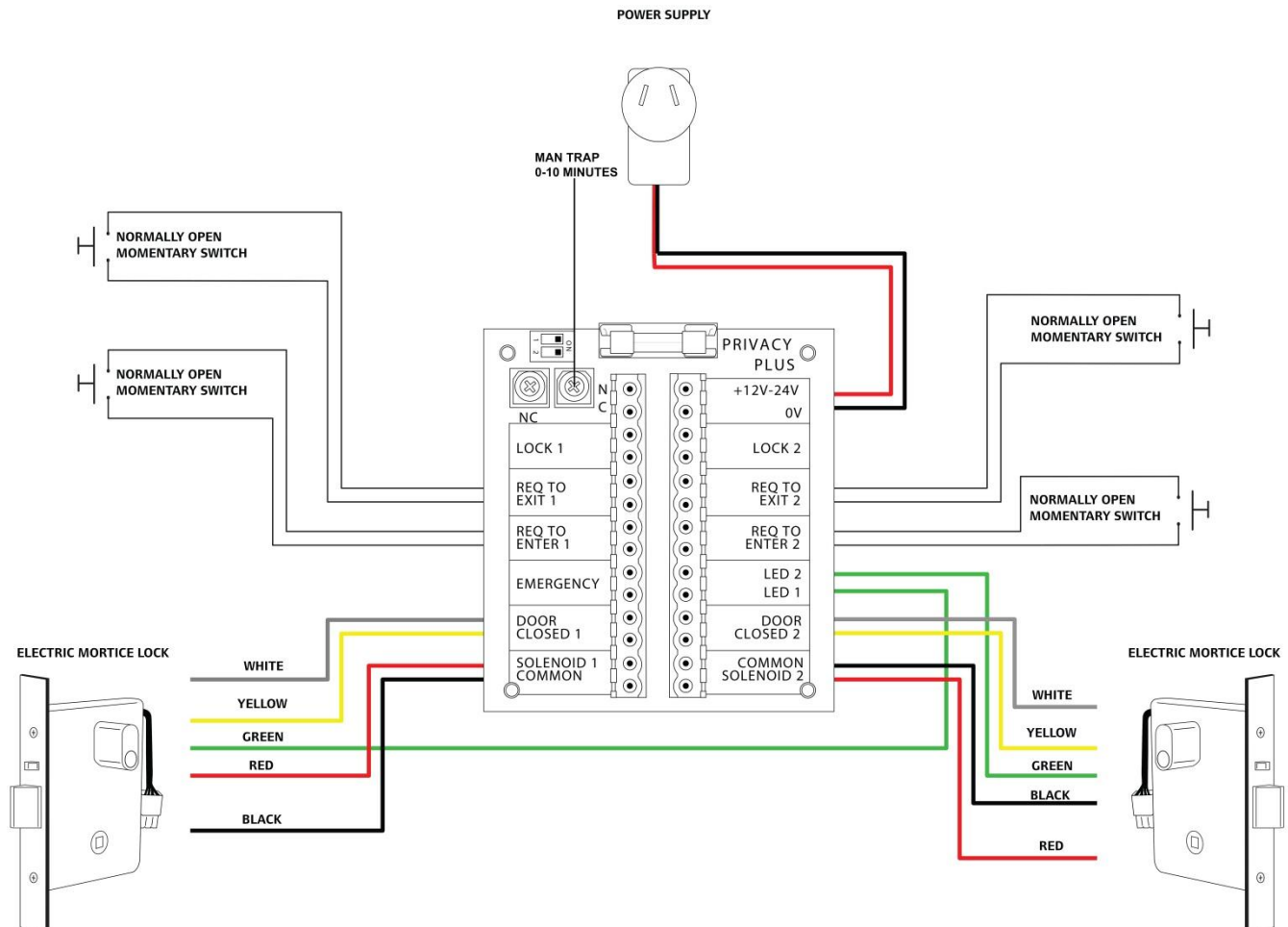


# Privacy Plus Locking System – Man Trap Packset

Man Trap Privacy Plus locking system is ideally suited for high security facilities, research and scientific laboratories, and cash handling facilities. This locking control system ensures that when a door is entered, all other doors are locked. A time delay is then enforced before another door is opened.

- Configuration** The electric mortise locks are set to Fail Secure functionality and to a combination setting so both handles are locked when no power is used.
- Prior to Entry** The doors are locked on both sides & when both doors are in the closed position. The LED's are red.
- Locking Scenario** With the press of an outside switch, the one door unlocks. Whilst this door is open the other door remains locked and cannot be unlocked, inside or outside until the first door is closed.
- Unlocking Scenario** Closing the opened door will reset the system status and either door will now unlock via the press of the internal switch allowing access out either door. This is after a short time delay.
- Activation** This is through the momentary doorbell press switch.
- Advantages** Man trap is created as the second door is disabled during the operation of the first. No one can enter or exit the room while the other door is open. This is automated security allowing time for cameras, hepa filters etc. to work within the time delay.
- Suitable Applications** High security facilities, cash handling rooms, research and scientific laboratories.

## Man Trap Privacy Plus Wiring Diagram



# MAN TRAP

